

KL FRESNEL 8 CW



KL FRESNEL 8™ is a 350W 5,600K >97CRI Cool White LED fresnel, producing over 14,000 total lumen output. Features include manual and DMX control, 11° to 56° wide motorized zoom, manual and DMX controlled dimmer, shutter, and zoom, dimmer and zoom rotary dials, smooth 16-bit selectable dimming modes and curves, LED refresh rate frequency adjustment for flicker free operation for TV and FILM, removable barn doors (included), RDM (remote device management) protocol support, 3/5pin DMX and IP65 Locking Power Cable in/out connections, 4 button control panel, LCD menu display, multiple unit power linking, a universal auto switching power supply (100-240v), gel frame and rotating barn doors (included).

FEATURES

5,600K Cool White LED Fresnel Luminaire

350W Single Source LED

Manual and DMX Controlled Dimming

Quick Single Press Light Output for Focusing

11° - 56° Motorized Zoom

Including 8-Leaf Barn Doors and Gel Frame Holder

Adjustable Refresh Frequency

Silent Operation

Variable Dimming Curves, Dim Modes and Dimming Delays

Flicker Free Operation for Broadcast TV and Film

RDM (Remote Device Management)

Gel Frame and Rotating Barn Doors (included)

3 Clamp Position Adjustable Mounting Yoke



PRODUCT SPECIFICATIONS

SOURCE

350W Cool White LED Engine, 5,600K, 97CRI
 50,000 Hour Average LED Life*
 *May vary depending on several factors including but not limited to:
 Environmental Conditions, Power/Voltage, Usage Patterns (On-Off Cycling), Control and Dimming.

PHOTOMETRIC DATA

up to 14,000 Total Lumen Output
 16,762 LUX 1,557 FC @ 9.8' (3m) (Min. Zoom)
 1462 LUX 136 FC @ 9.8' (3m) (Max. Zoom)
 Zoom Range 11° - 56°
 Beam Angle 11° - 56.2°
 Field Angle 17.9° - 77°

EFFECTS

Motorized Zoom
 Electronic Dimmer and Strobe
 Variable 16-bit Dimming Modes and Curves

COLOR

5,600K Cool White LED

CONTROL / CONNECTIONS

Manual and DMX Controlled Dimmer, Shutter and Zoom
 Dimmer and Zoom Rotary Dials
 (5) DMX Channel Modes (2 / 3 / 3 / 6 / 7)
 4 Button Control Panel LCD Menu Display
 RDM (Remote Device Management)
 3/5pin DMX and IP65 Locking Power Cable In/Out
 With Wired Digital Communication Network

SIZE / WEIGHT

Length: 17.5" (445mm)
 Width: 12.89" (327.5mm)
 Vertical Height: 17.95" (456mm)
 Weight: 28.0 lbs. (12.7kg)

ELECTRICAL / THERMAL

AC 100-240V - 50/60Hz
 430W Max Power Consumption
 5°F to 113°F (-15°C to 45°C)
 Power Linking: 3Pcs @ 110V / 6Pcs @ 240V

INCLUDED ITEMS

Gel Frame and Rotating Barn Doors
 IP65 Locking Power Cable

APPROVALS / RATINGS

CE | cETLus | IP30

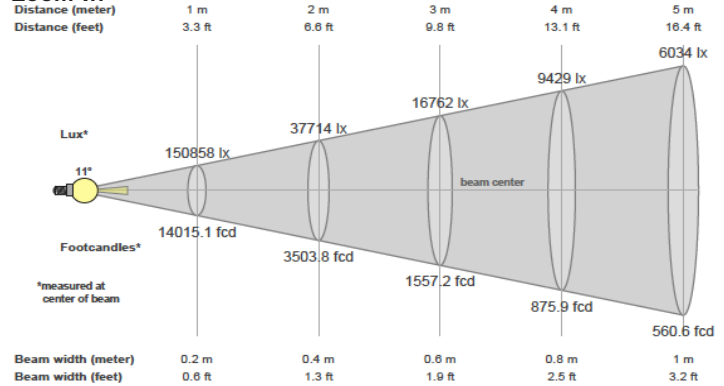
Specifications and documentation subject to change without notice.

ORDERING INFORMATION

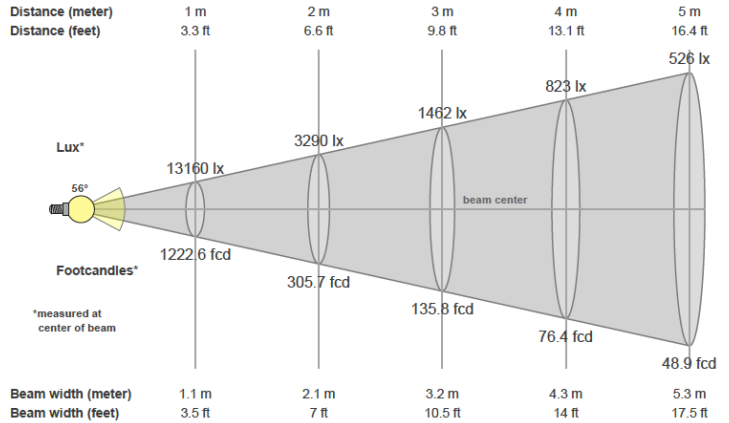
KLF036	KL Fresnel 8 CW
TRIGGER CLAMP	Heavy Duty Trigger Clamp
AC5PDMX5PRO	5 ft. (1.5m) 5pin PRO DMX Cable (Additional cable lengths available)

PHOTOMETRIC DATA

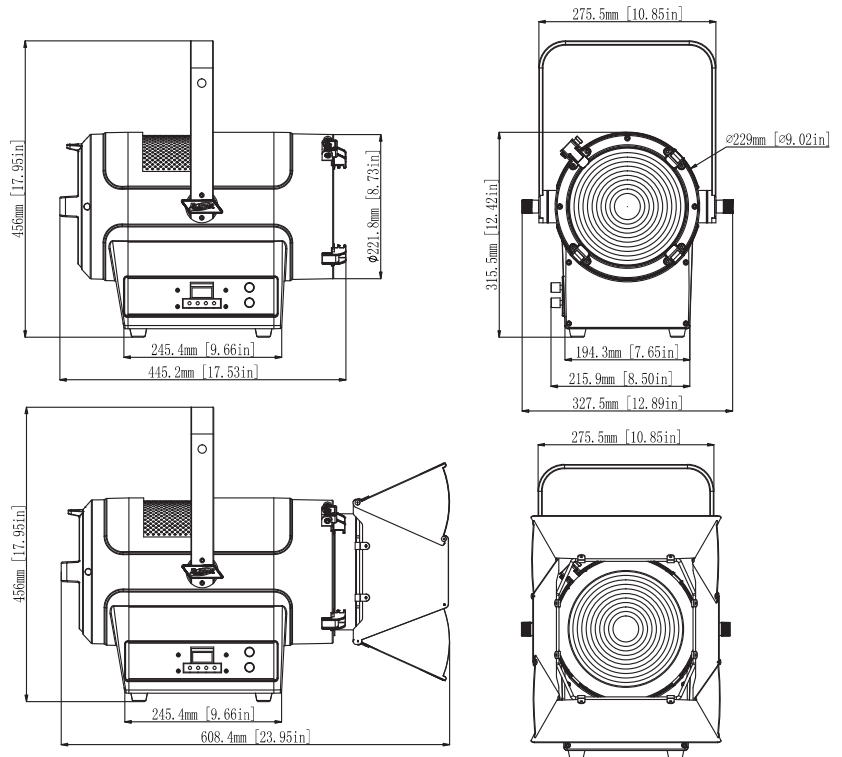
Zoom In



Zoom Out



DIMENSIONAL DRAWINGS



*DRAWINGS NOT TO SCALE



Specifications subject to change without notice ©Elation Professional 04/08/2021

Elation Professional USA | 6122 S. Eastern Ave. | Los Angeles, CA. 90040
 323-582-3322 | 323-832-9142 fax | www.elationlighting.com | info@elationlighting.com

Elation Professional B.V. | Junostraat 2 | 6468 EW Kerkrade, The Netherlands
 +31 45 546 85 66 | +31 45 546 85 96 fax | www.elationlighting.eu | info@elationlighting.eu