

KL FRESNEL 4 CW



KL FRESNEL 4CW™ is a 50W 5,600K >97CRI Cool White LED fresnel, producing over 2,300 total lumen output. Features include 14° to 33° wide manual zoom, manual and DMX controlled dimmer and shutter, rotary dimmer and zoom dials, smooth 16-bit selectable dimming modes and curves, LED refresh rate frequency adjustment for flicker free operation for TV and FILM, RDM (remote device management) protocol support, 5pin DMX and IP65 Locking Power Cable in/out connections, 4 button control panel, LCD menu display, multiple unit power linking, a universal auto switching power supply (100-240v), gel frame and rotating barn doors (included), and a 3 clamp position adjustable mounting yoke.

FEATURES

- 5,600K Cool White LED Fresnel Luminaire
- 50W Single Source LED
- Manual and DMX Controlled Dimming
- Quick Single Press Light Output for Focusing
- 14° - 33° Manual Zoom
- Including 8-Leaf Barn Doors and Gel Frame Holder
- Adjustable Refresh Frequency
- Silent Operation
- Variable Dimming Curves, Dim Modes and Dimming Delays
- Flicker Free Operation for Broadcast TV and Film
- RDM (Remote Device Management)
- 3 Clamp Position Adjustable Mounting Yoke



PRODUCT SPECIFICATIONS

SOURCE

50W Cool White LED Engine 5,600K, 97CRI
50,000 Hour Average LED Life*

*May vary depending on several factors including but not limited to: Environmental Conditions, Power/Voltage, Usage Patterns (On-Off Cycling), Control, and Dimming.

PHOTOMETRIC DATA

2300+ Total Lumen Output
3,753 LUX 349 FC @ 9.8' (3m) (Min. Zoom)
814 LUX 76 FC @ 9.8' (3m) (Max. Zoom)
Zoom Range 14° - 33°
Beam Angle 14° - 32.9°
Field Angle 22.1° - 51.7°

EFFECTS

Manual Zoom
Electronic Dimmer and Strobe
Variable 16-bit Dimming Modes and Curves

COLOR

5,600K Cool White LED

CONTROL / CONNECTIONS

Manual and DMX Controlled Dimmer and Shutter
Dimmer Rotary Dial
(5) DMX Channel Modes (1 / 2 / 3 / 4 / 5)
4 Button Control Panel LCD Menu Display
RDM (Remote Device Management)
5pin DMX and IP65 Locking Cable In/Out
With Wired Digital Communication Network

SIZE / WEIGHT

Length: 9.9" (251mm)
Width: 7.9" (201mm)
Vertical Height: 11.4" (289mm)
Weight: 9.0 lbs. (4.08 kg)

ELECTRICAL / THERMAL

AC 100-240V - 50/60Hz
50W Max Power Consumption
5°F to 113°F (-15°C to 45°C)
Power Linking: 12Pcs @ 110V / 27Pcs @240V

INCLUDED ITEMS

Gel Frame and Rotating Barn Doors
IP65 Locking Power Cable
Barn Doors

APPROVALS / RATINGS

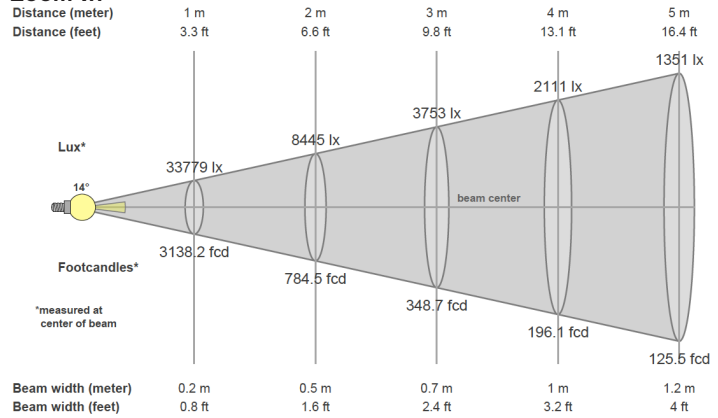
CE | cETLus | IP30

*Specifications and documentation subject to change without notice.

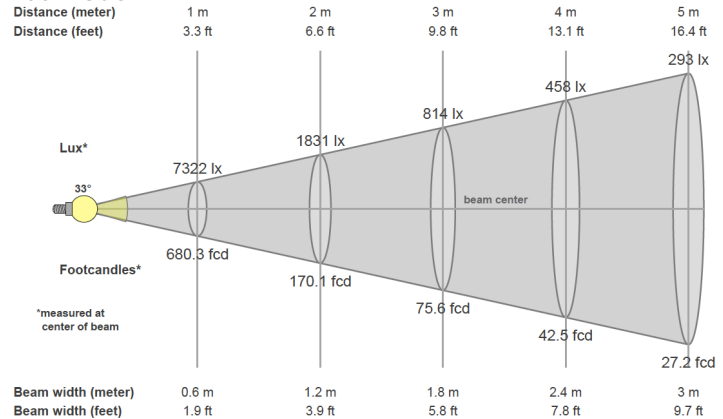
ORDERING INFORMATION	
KLF048	KL Fresnel 4 CW
TRIGGER CLAMP	Heavy Duty Trigger Clamp
AC5PDMX5PRO	5 ft. (1.5m) 5pin PRO DMX Cable (Additional cable lengths available)

PHOTOMETRIC DATA

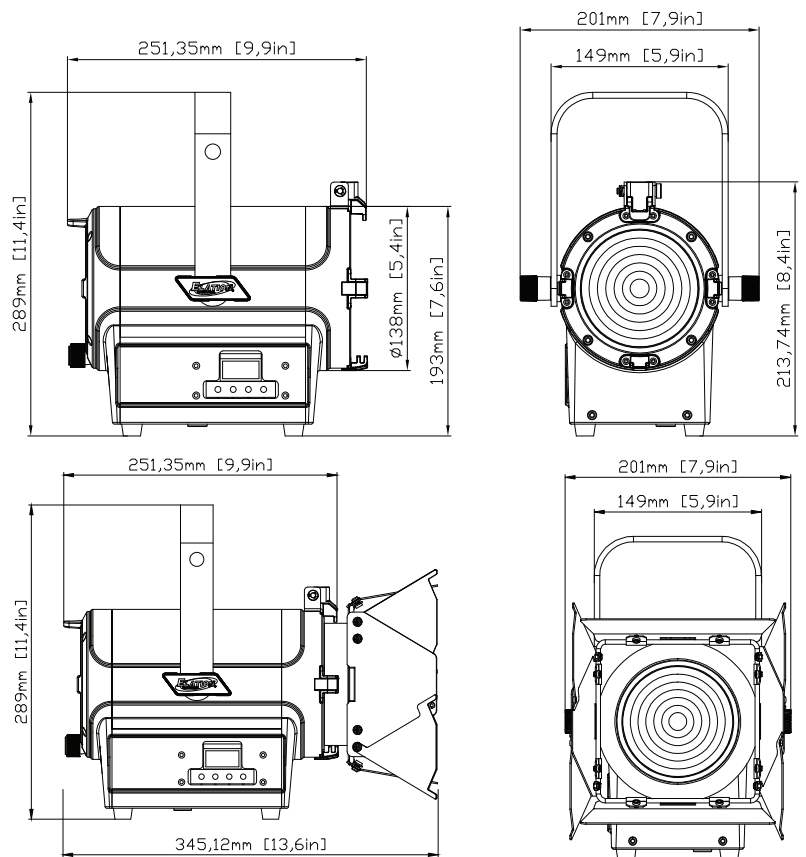
Zoom In



Zoom Out



DIMENSIONAL DRAWINGS



*DRAWINGS NOT TO SCALE



Specifications subject to change without notice ©Elation Professional 07/21/2020

Elation Professional USA | 6122 S. Eastern Ave. | Los Angeles, CA. 90040
323-582-3322 | 323-832-9142 fax | www.elationlighting.com | info@elationlighting.com

Elation Professional B.V. | Junostraat 2 | 6468 EW Kerkrade, The Netherlands
+31 45 546 85 66 | +31 45 546 85 96 fax | www.elationlighting.eu | info@elationlighting.eu