

# **ELATION®**



**LIMELIGHT**

**PAR 5**

**User Manual**

©2024 **ELATION PROFESSIONAL** all rights reserved. Information, specifications, diagrams, images, and instructions herein are subject to change without notice. ELATION PROFESSIONAL logo and identifying product names and numbers herein are trademarks of ELATION PROFESSIONAL. Copyright protection claimed includes all forms and matters of copyrightable materials and information now allowed by statutory or judicial law or hereinafter granted. Product names used in this document may be trademarks or registered trademarks of their respective companies and are hereby acknowledged. All non-ELATION brands and product names are trademarks or registered trademarks of their respective companies.

**ELATION PROFESSIONAL** and all affiliated companies hereby disclaim any and all liabilities for property, equipment, building, and electrical damages, injuries to any persons, and direct or indirect economic loss associated with the use or reliance of any information contained within this document, and/or as a result of the improper, unsafe, insufficient and negligent assembly, installation, rigging, and operation of this product.

**Elation Professional USA | 6122 S. Eastern Ave. | Los Angeles, CA. 90040**

323-582-3322 | [www.elationlighting.com](http://www.elationlighting.com) | [info@elationlighting.com](mailto:info@elationlighting.com)

**Elation Professional B.V. | Junostraat 2 | 6468 EW Kerkrade, The Netherlands**

+31 45 546 85 66 | +31 45 546 85 96 fax | [www.elationlighting.eu](http://www.elationlighting.eu) | [info@elationlighting.eu](mailto:info@elationlighting.eu)

**Elation Professional Mexico | AV Santa Ana 30 | Parque Industrial Lerma, Lerma, Mexico 52000**

+52 (728) 282-7070

## DOCUMENT VERSION



Due to additional product features and/or enhancements, an updated version of this document may be available online. Please scan the QR Code with your mobile device or visit [www.elationlighting.com](http://www.elationlighting.com) for the latest revision/update of this manual, before installation and/or programming.

Date	Document Version	Software Version	DMX Channel Mode	Notes
04/10/24	1.0	1.01	4 / 12 / 15 / 13 / 17 Ext / 17 Std Zones / 25 Ch	Initial Release
04/22/24	1.1	N/C	No Change	Updated Control Panel, DMX Set Up
06/17/24	1.2	N/C	No Change	Updated Specifications

# CONTENTS

<b>General Information</b>	<b>4</b>
<b>Limited Warranty (USA Only)</b>	<b>5</b>
<b>IP65 Rated</b>	<b>6</b>
<b>Safety Guidelines</b>	<b>7</b>
<b>Maintenance Guidelines</b>	<b>9</b>
<b>Overview</b>	<b>10</b>
<b>Installation Guidelines</b>	<b>11</b>
<b>Accessory Installation</b>	<b>15</b>
<b>Remote Device Management (RDM)</b>	<b>16</b>
<b>Control Panel</b>	<b>17</b>
<b>System Menu</b>	<b>18</b>
<b>Fan Modes</b>	<b>21</b>
<b>DMX Set Up</b>	<b>22</b>
<b>DMX Traits</b>	<b>24</b>
<b>Pixel Grouping</b>	<b>29</b>
<b>Virtual Color Table</b>	<b>30</b>
<b>Color Temperature Table</b>	<b>31</b>
<b>Dimmer Modes &amp; Curves</b>	<b>32</b>
<b>Primary-Secondary Set Up</b>	<b>33</b>
<b>Multi Unit Power Linking   Maintenance Guidelines</b>	<b>34</b>
<b>Torque Settings for Screws</b>	<b>35</b>
<b>IP Test Parameters</b>	<b>36</b>
<b>Dimensional Drawings</b>	<b>37</b>
<b>Specifications   Ordering Information</b>	<b>39</b>
<b>Error Codes   FCC Statement</b>	<b>40</b>

# GENERAL INFORMATION

## INTRODUCTION

Please read and understand the instructions in this manual carefully and thoroughly before attempting to operate this device. These instructions contain important safety and use information. **This device is intended for use by trained personnel only, and is not suitable for private use.**

## UNPACKING

Every device has been thoroughly tested and has been shipped in perfect operating condition. Carefully check the shipping carton for damage that may have occurred during shipping. If the carton is damaged, carefully inspect the device for damage, and be sure all accessories necessary to install and operate the device have arrived intact. In the event damage has been found or parts are missing, please contact our customer support team for further instructions. Please do not return this device to your dealer without first contacting customer support. Please do not discard the shipping carton in the trash. Please recycle whenever possible.

## BOX CONTENTS

Power Cable (x1)  
Safety Cable (x1)

## CUSTOMER SUPPORT

Contact ELATION Service for any product related service and support needs. Also visit [forums.elationlighting.com](https://forums.elationlighting.com) with questions, comments, or suggestions.

**ELATION SERVICE USA - Monday - Friday 8:00am to 4:30pm PST**  
323-582-3322 | [support@elationlighting.com](mailto:support@elationlighting.com)

**ELATION SERVICE EUROPE - Monday - Friday 08:30 to 17:00 CET**  
+31 45 546 85 63 | Fax +31 45 546 85 96 | [support@elationlighting.eu](mailto:support@elationlighting.eu)

**REPLACEMENT PARTS** please visit [parts.elationlighting.com](https://parts.elationlighting.com)



## IMPORTANT NOTICE!

**THERE ARE NO USER SERVICEABLE PARTS INSIDE THIS UNIT. DO NOT ATTEMPT ANY REPAIRS YOURSELF, AS DOING SO WILL VOID YOUR MANUFACTURER'S WARRANTY. DAMAGES RESULTING FROM MODIFICATIONS TO THIS FIXTURE AND/OR THE DISREGARD OF SAFETY INSTRUCTIONS AND GUIDELINES IN THIS MANUAL VOID THE MANUFACTURER'S WARRANTY AND ARE NOT SUBJECT TO ANY WARRANTY CLAIMS AND/OR REPAIRS.**

## LIMITED WARRANTY (USA ONLY)

- A. Elation Professional hereby warrants, to the original purchaser, Elation Professional products to be free of manufacturing defects in material and workmanship for a period of two years (730 days), and Elation Professional product rechargeable batteries to be free of manufacturing defects in material and workmanship for a period of six months (180 days), from the original date of purchase. This warranty excludes discharge lamps and all product accessories. This warranty shall be valid only if the product is purchased within the United States of America, including possessions and territories. It is the owner's responsibility to establish the date and place of purchase by acceptable evidence, at the time service is sought.
- B. For warranty service, send the product only to the Elation Professional factory. All shipping charges must be pre-paid. If the requested repairs or service (including parts replacement) are within the terms of this warranty, Elation Professional will pay return shipping charges only to a designated point within the United States. If any product is sent, it must be shipped in its original package and packaging material. No accessories should be shipped with the product. If any accessories are shipped with the product, Elation Professional shall have no liability what so ever for loss and/or damage to any such accessories, nor for the safe return thereof.
- C. This warranty is void if the product serial number and/or labels are altered or removed; if the product is modified in any manner which Elation Professional concludes, after inspection, affects the reliability of the product; if the product has been repaired or serviced by anyone other than the Elation Professional factory unless prior written authorization was issued to purchaser by Elation Professional; if the product is damaged because not properly maintained as set forth in the product instructions, guidelines and/or user manual.
- D. This is not a service contract, and this warranty does not include any maintenance, cleaning or periodic check-up. During the periods as specified above, Elation Professional will replace defective parts at its expense, and will absorb all expenses for warranty service and repair labor by reason of defects in material or workmanship. The sole responsibility of Elation Professional under this warranty shall be limited to the repair of the product, or replacement thereof, including parts, at the sole discretion of Elation Professional. All products covered by this warranty were manufactured after January 1, 1990, and bare identifying marks to that effect.
- E. Elation Professional reserves the right to make changes in design and/or performance improvements upon its products without any obligation to include these changes in any products theretofore manufactured.
- F. No warranty, whether expressed or implied, is given or made with respect to any accessory supplied with the products described above. Except to the extent prohibited by applicable law, all implied warranties made by Elation Professional in connection with this product, including warranties of merchantability or fitness, are limited in duration to the warranty periods set forth above. And no warranties, whether expressed or implied, including warranties of merchantability or fitness, shall apply to this product after said periods have expired. The consumer's and/or dealer's sole remedy shall be such repair or replacement as is expressly provided above; and under no circumstances shall Elation Professional be liable for any loss and/or damage, direct and/or consequential, arising out of the use of, and/or the inability to use, this product.
- G. This warranty is the only written warranty applicable to Elation Professional products and supersedes all prior warranties and written descriptions of warranty terms and conditions heretofore published.

### WARRANTY RETURNS

All returned service items whether under warranty or not, must be freight pre-paid and accompany a return authorization (R.A.) number. The R.A. number must be clearly written on the outside of the return package. A brief description of the problem as well as the R.A. number must also be written down on a piece of paper and included in the shipping container. If the unit is under warranty, you must provide a copy of your proof of purchase invoice. Items returned without a R.A. number clearly marked on the outside of the package will be refused and returned at customer's expense. You may obtain a R.A. number by contacting customer support.

# IP65 RATED

**The International Protection (IP)** rating system is commonly expressed as “IP” (Ingress Protection) followed by two numbers (i.e. IP65), where the numbers define the degree of protection. The first digit (Foreign Bodies Protection) indicates the extent of protection against particles entering the fixture, and the second digit (Water Protection) indicates the extent of protection against water entering the fixture. An **IP65** rated lighting fixture is designed and tested to protect against the ingress of dust (**6**), and low-pressure water jets from any direction (**5**).

**Maritime/Coastal Environment Installations:** A coastal environment is seaside adjacent, and caustic to electronics through exposure to atomized salt-water and humidity, whereas maritime is anywhere within 5-miles of a coastal environment.

Maritime installations require additional preparation, and additional service intervals may be needed given the maritime use. In general, IP ratings presuppose freshwater conditions VS maritime conditions, which are typically more “caustic” to IP fixtures (both internally and externally). A duty-cycle may also be needed when units are not in use. During times of high humidity and colder temperatures, condensation may occur internally so the fixture may require a duty-cycle to bring it up to running temperature, allowing any accumulation of moisture to be expelled via the vent valve. Recommendations can change based on installation environmental circumstances.

**NOTE: NOT ALL FEATURES LISTED ARE AVAILABLE ON ALL FIXTURES; THE FOLLOWING INSTRUCTIONS MAY NOT APPLY. CONTACT SUPPORT FOR ADDITIONAL DETAILS.**

**Exterior Maintenance:** Inspect the exterior every 30-days. The unit must be powered off/disconnected. The chassis should be inspected for any signs of contaminants. Inspect optics to determine if the lens is obstructed, then clean optics and chassis accordingly. Based on initial finding, schedule maintenance accordingly, keeping in mind that exterior maintenance will be required. Even if the luminaires are NOT in use, maintenance will still be needed given its location (exterior use). The use of a durable type of wax on the chassis is recommended since it will help prevent contaminant build up. Inspect both power and data lines for any signs of contaminants or corrosion. Periodically reapplying di-electric grease, especially in coastal environments. If any signs of corrosion/contaminants are present, clean thoroughly, and/or replace connectors, then reapply di-electric grease. Typically, this should be done annually, or any time an opportunity presents itself. As a preventive measure, annual replacement of both vent valves is recommended. The vent valve membrane can become contaminated and/or clogged causing improper venting of humidity within the luminaire. Inspect all mounting hardware as a precaution.

**Interior Maintenance:** Inspect the interior every 30-days. The unit must be powered off/disconnected.

- Inspect zoom/focus mechanism, clean optics, lubricate linear bearings (Krytox oil) as needed, inspect belts for wear
- Inspect all rotating effect wheels, manually rotate them, note any resistance
- Inspect all remaining rotating belts for any wear
- Inspect all fans, clean as needed, check rotation, check connections
- Inspect CMY module, manually move flags and check for signs of resistance, and if needed, clean guide rods first, then reapply a thin layer of grease (moly lube)
- Clean interior with low-volume compressed air, then clean optics prior to reassembly of head covers

Although the base has limited moving parts, the pan belt should also be inspected for wear. Remember to always perform an IP test anytime a cover is removed.

There is no specific time frame regarding the routine replacement of parts such as belts/stepper motors, PCBs, or LEDs. These items should only be replaced on an as needed bases, except for cooling fans, which should be replaced once the luminaries reach 10,000-hours. This is a prophylactic measure intended to keep the unit running as cool as possible, insuring proper function of all internal components. A complete service breakdown is available, please contact [service@elationlighting.com](mailto:service@elationlighting.com) for any needed parts or manuals.

# SAFETY GUIDELINES

This fixture is a sophisticated piece of electronic equipment. To guarantee smooth operation, it is important to follow all instructions and guidelines in this manual. Elation Professional is not responsible for injury and/or damages resulting from the misuse of this fixture due to the disregard of the information printed in this manual. Only qualified and/or certified personnel should perform installation of this fixture and only the original rigging parts included with this fixture should be used for installation. Any modifications to the fixture and/or the included mounting hardware will void the original manufacturer's warranty and increase the risk of damage and/or personal injury.



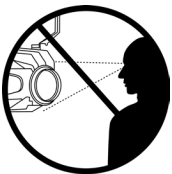
**PROTECTION CLASS 1 - FIXTURE MUST BE PROPERLY GROUNDED.**



**THERE ARE NO USER SERVICEABLE PARTS INSIDE THIS UNIT. DO NOT ATTEMPT ANY REPAIRS YOURSELF. DOING SO WILL VOID YOUR MANUFACTURER'S WARRANTY. DAMAGES RESULTING FROM MODIFICATIONS TO THIS DEVICE AND/OR THE DISREGARD OF SAFETY INSTRUCTIONS AND GUIDELINES IN THIS MANUAL VOID THE MANUFACTURER'S WARRANTY AND ARE NOT SUBJECT TO ANY WARRANTY CLAIMS AND/OR REPAIRS.**



**DO NOT PLUG THIS UNIT INTO A DIMMER PACK  
DO NOT REMOVE THE COVER PANELS FOR ANY REASON  
NEVER OPERATE THIS UNIT WITH THE CASING REMOVED  
UNPLUG FROM POWER DURING LONG PERIODS OF NON-USE  
DISCONNECT POWER BEFORE PERFORMING MAINTENANCE**



**NEVER LOOK DIRECTLY INTO THE LIGHT SOURCE!  
RETINA INJURY RISK - MAY INDUCE BLINDNESS!  
SENSITIVE PERSONS MAY SUFFER AN EPILEPTIC SHOCK!  
FIXTURE SHOULD BE PLACED A MINIMUM OF 1.0 FOOT (0.3 METERS) FROM ANY NEARBY OBJECTS OR SURFACES.**



**FIXTURE SHOULD BE PLACED A MINIMUM OF 1.6 FEET (0.5 METERS) FROM ANY FLAMMABLE MATERIALS.  
MAXIMUM AMBIENT OPERATING TEMPERATURE IS 113°F (45°C)**

# SAFETY GUIDELINES

**For Your Own Personal Safety, Please Read and Understand This Manual Completely Before You Attempt To Install Or Operate This Unit!**

- Do not touch the fixture housing during operation, as it may be hot.
- Do not shake the fixture, and avoid using brute force when installing and/or operating.
- Use only the original packaging and materials to transport or ship the fixture for service. Make sure to retain the original packaging for this purpose.
- Be sure that the local power outlet matches the required voltage for the device.
- Do not open up the device for any reason. There are no user serviceable parts inside.
- Disconnect the device's main power when left unused for long periods of time.
- Never connect this device to a dimmer pack.
- Do not attempt to operate this device if it has been damaged in any way.
- Never operate this device with the cover removed.
- Do not attempt to operate this device if the power cord has been frayed or broken.
- Never force a power cord connector into the fixture. If the power cord or any of its connectors are damaged, replace immediately with a new cord of the same power rating.
- Do not attempt to remove or break off the ground prong from the electrical cord. This prong is used to reduce the risk of electrical shock and fire in case of an internal short.
- Only handle the power cord by the plug end. Never disconnect the plug by tugging on the wire portion of the power cord.
- Disconnect from main power before making any type of connection.
- Never block the air ventilation slots. Always be sure to mount this device in an area that will allow proper ventilation. Allow about 6" (15cm) between this device and a wall.
- Always mount this unit in a safe and stable matter.
- Please route your power cord out of the way of foot traffic. Power cords should be routed so they are not likely to be walked on or pinched by items placed upon or against them.
- Before performing any servicing, turn off and disconnect the device from power and allow at least 15 minutes for the device to cool.
- Consistent operational breaks will ensure that this fixture will function properly for many years.
- The device should be serviced by qualified service personnel when:
  - A. The power-supply cord or the plug has been damaged.
  - B. Objects have fallen on, or liquid has been spilled into, the device.
  - C. The device has been immersed in liquid.
  - D. The appliance does not appear to operate normally or exhibits a marked change in performance.

**Keep all flammable materials away from this fixture!**



# MAINTENANCE GUIDELINES



**DISCONNECT POWER BEFORE PERFORMING ANY MAINTENANCE!**

## CLEANING

Frequent cleaning is recommended to ensure proper function, optimized light output, and an extended life. The frequency of cleaning depends on the environment in which the fixture operates: damp, smoky or particularly dirty environments can cause greater accumulation of dirt on the fixture's optics. Clean periodically with a soft cloth to avoid dirt/debris accumulation.

**NEVER** use alcohol, solvents, or ammonia-based cleaners.

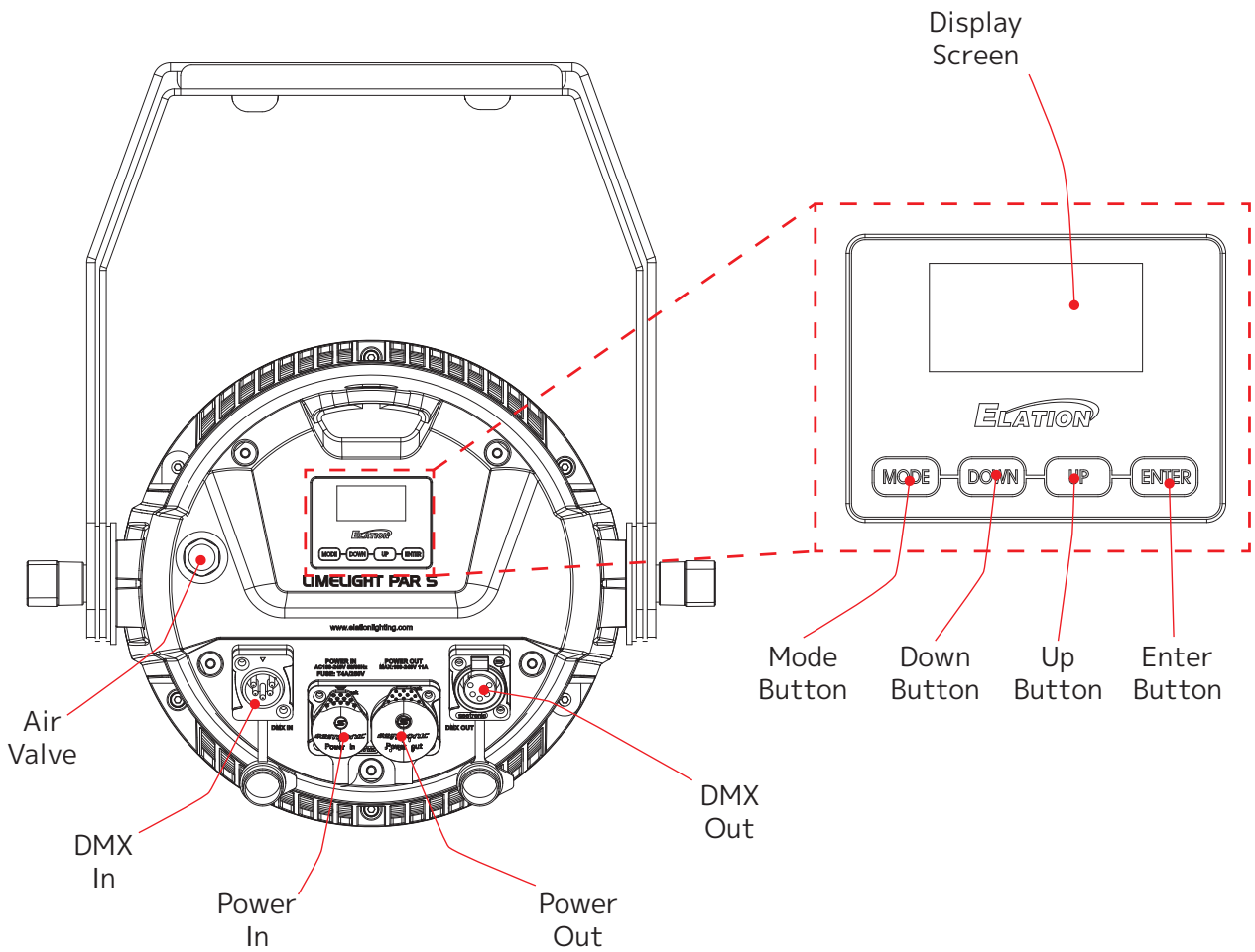
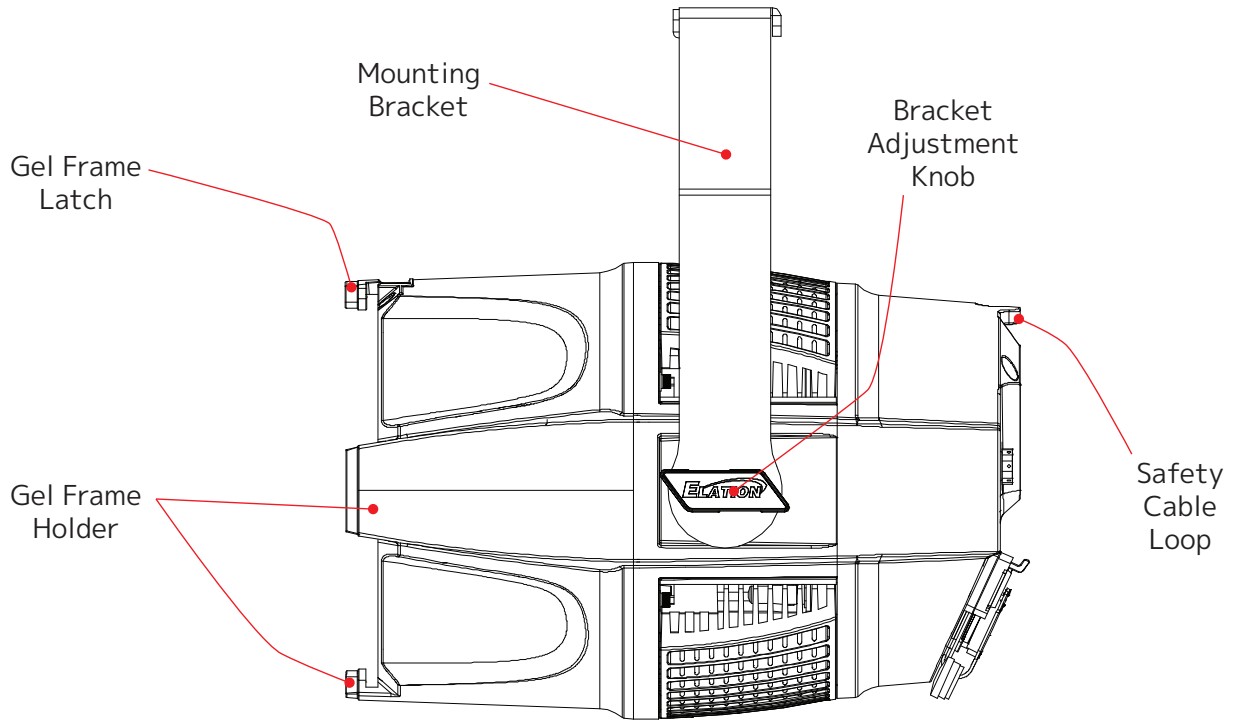
## MAINTENANCE

Regular inspections are recommended to insure proper function and extended life. There are no user serviceable parts inside this fixture. Please refer all other service issues to an authorized Elation service technician. Should you need any spare parts, please order genuine parts from an authorized Elation dealer.

Please refer to the following points during routine inspections:

- A detailed electrical check by an approved electrical engineer every three months, to make sure the circuit contacts are in good condition and prevent overheating.
- Be sure all screws and fasteners are securely tightened at all times. Loose screws may fall out during normal operation, resulting in damage or injury as larger parts could fall.
- Check for any deformations on the housing, color lenses, rigging hardware and rigging points (ceiling, suspension, trussing). Deformations in the housing could allow for dust to enter into the fixture. Damaged rigging points or unsecured rigging could cause the fixture to fall and seriously injure a person(s).
- Electric power supply cables must not show any damage, material fatigue or sediments.

# OVERVIEW



# INSTALLATION GUIDELINES



## **FLAMMABLE MATERIAL WARNING**

Keep fixture minimum 5.0 feet (1.5m) away from flammable materials and/or pyrotechnics.



## **ELECTRICAL CONNECTIONS**

A qualified electrician should be used for all electrical connections and/or installations.



## **MINIMUM DISTANCE TO OBJECTS/SURFACES IS 1 FOOT (0.3 METERS)**



## **MINIMUM DISTANCE OF FLAMMABLE MATERIALS FROM THE SURFACE IS 1.6 FEET (0.5 METER)**



## **MAXIMUM AMBIENT TEMPERATURE 113° F (45°C)**



## **DO NOT INSTALL THE FIXTURE IF YOU ARE NOT QUALIFIED TO DO SO!**

Fixture **MUST** be installed following all local, national, and country commercial electrical and construction codes and regulations.

Before rigging/mounting a single fixture or multiple fixtures to any metal truss/structure or placing the fixture(s) on any surface, a professional equipment installer **MUST** be consulted to determine if the metal truss/structure or surface is properly certified to safely hold the combined weight of the fixture(s), clamps, cables, and accessories.

Fixture(s) should be installed away from walking paths, seating areas, or areas where unauthorized personnel might reach the fixture by hand.

**NEVER** stand directly below the fixture(s) when rigging, removing, or servicing.

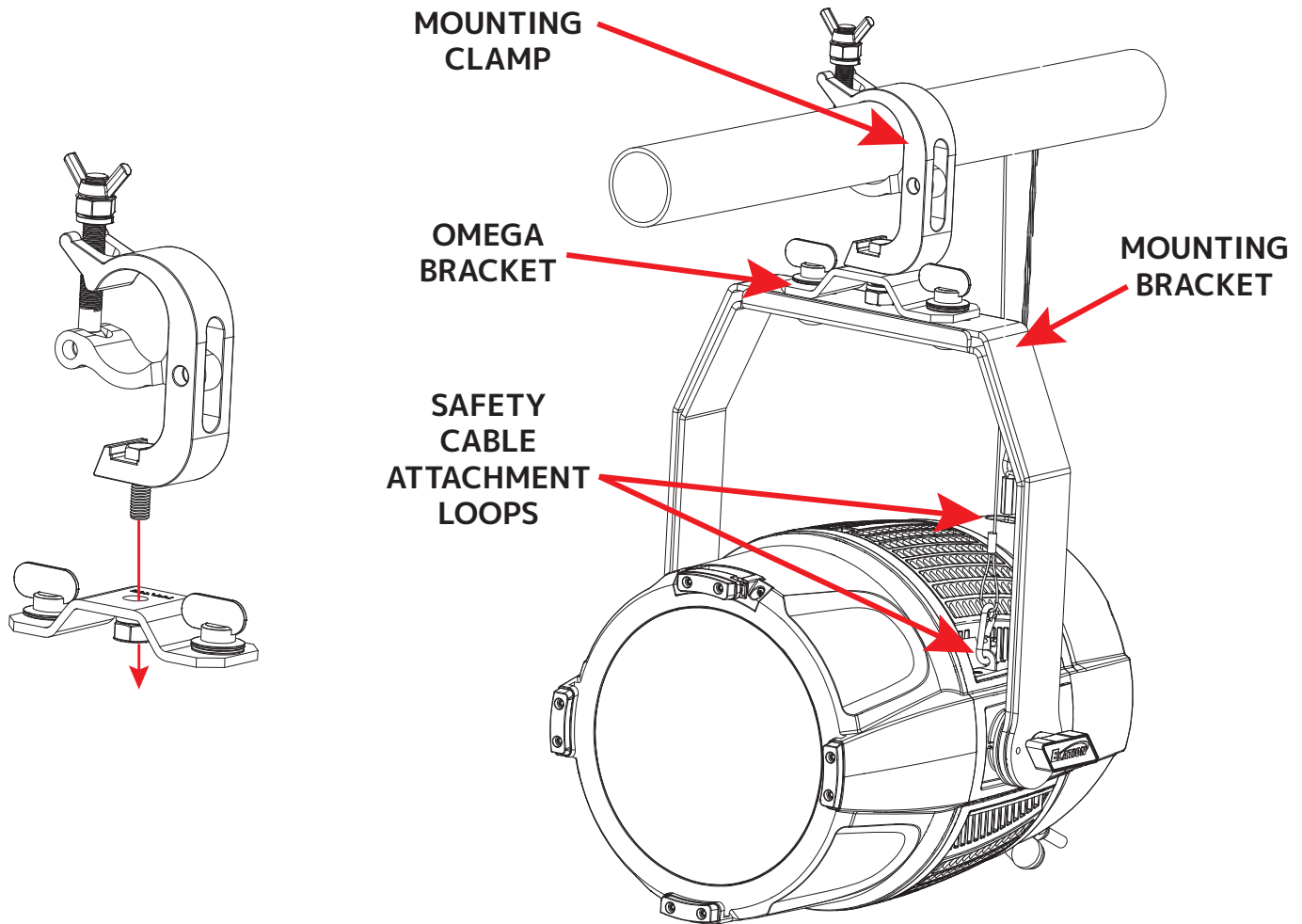
Overhead fixture installation must always be secured with a secondary safety attachment, such as an appropriately rated safety cable.

Allow approximately 15 minutes for the fixture to cool down before servicing.

# INSTALLATION GUIDELINES

## OMEGA BRACKET WITH CLAMP INSTALLATION

When mounting the fixture to a truss, secure an appropriately rated professional grade rigging clamp to the Omega Bracket by inserting and appropriately sized bolt through both clamp and Omega bracket, then fasten them together using a matching bolt. Attach the Omega bracket to the fixture using the attachment points located on the top of the mounting bracket. Attach a safety cable of the appropriate weight rating to one of the provided attachment point: either on the rear panel of the fixture above the display screen, or at the base of the mounting bracket.

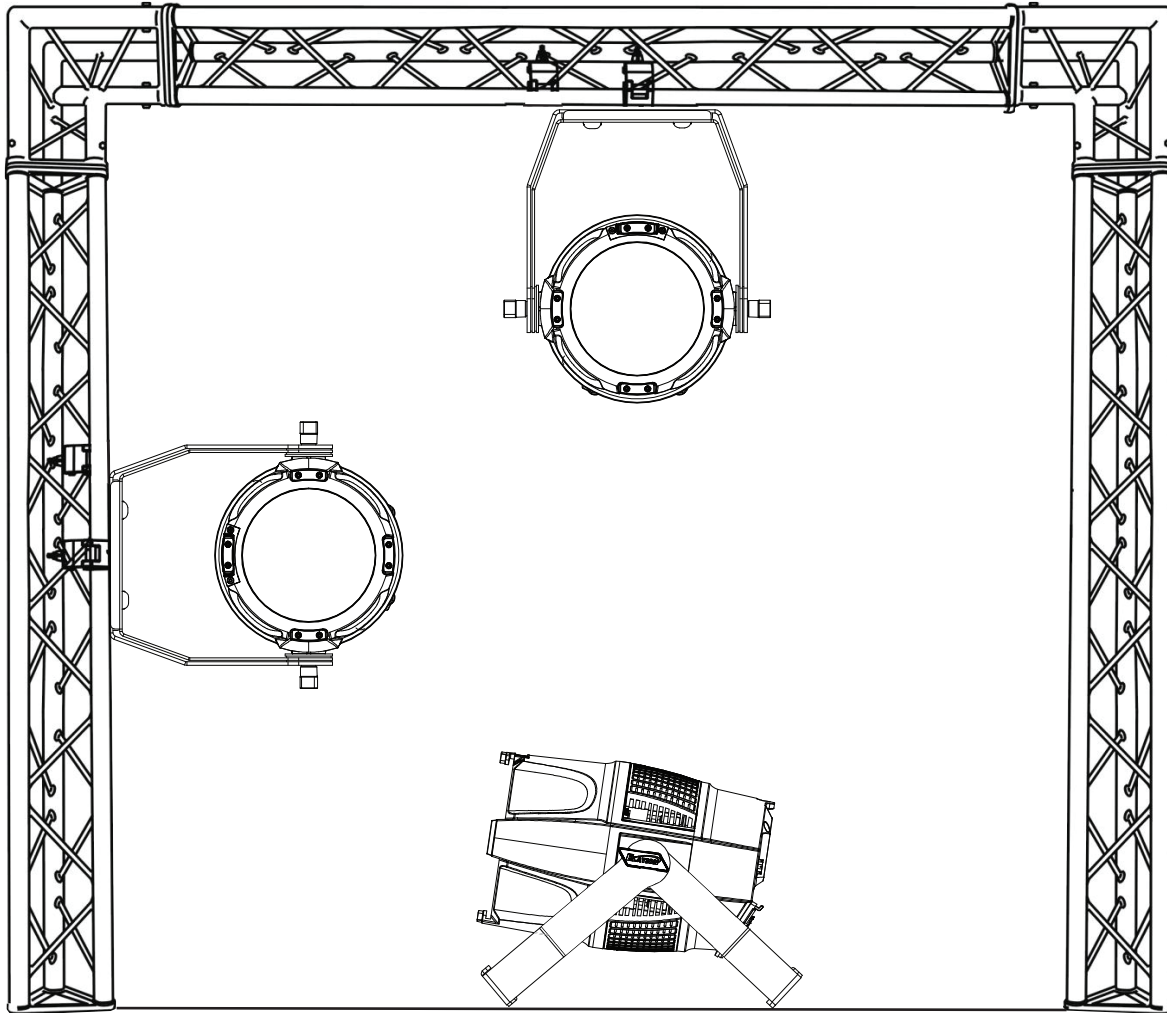


**ALWAYS ATTACH A SAFETY CABLE WHENEVER INSTALLING THIS FIXTURE IN A SUSPENDED ENVIRONMENT TO ENSURE THAT THE FIXTURE WILL NOT FALL IF THE CLAMP FAILS.**

# INSTALLATION GUIDELINES

## FIXTURE INSTALLATION

This fixture is fully operational in three different mounting positions: hanging upside-down, mounted sideways on trussing, or set on a flat level surface. Be sure this fixture is kept well away from any flammable materials (decoration etc.). Always use and install a safety cable of the proper rating as a safety measure to prevent accidental damage and/or injury in the event the clamp fails.



**FALLING FIXTURES CAN CAUSE SEVERE INJURY OR SERIOUS EQUIPMENT DAMAGE! FOR THIS REASON, FIXTURES SHOULD BE INSTALLED AND INSPECTED ONLY BY QUALIFIED PERSONNEL. DO NOT INSTALL THE UNIT IF YOU LACK THE QUALIFICATIONS TO DO SO, OR IF YOU HAVE DOUBTS ABOUT THE SAFETY AND SECURITY OF THE INSTALLATION SETUP OR LOCATION!**



**ALWAYS ATTACH A SAFETY CABLE WHENEVER INSTALLING THIS FIXTURE IN A SUSPENDED ENVIRONMENT TO ENSURE THE FIXTURE WILL NOT FALL IF THE CLAMP FAILS.**



**IF FIXTURE IS INSTALLED WITH ACCESSORIES FITTED, THE FIXTURE SHOULD ALWAYS BE INSTALLED WITH THE GEL FRAME LATCH ORIENTED UPWARDS, IN ORDER TO ENSURE THAT THE ACCESSORIES WILL NOT FALL IN THE EVENT THAT THE LATCH FAILS**

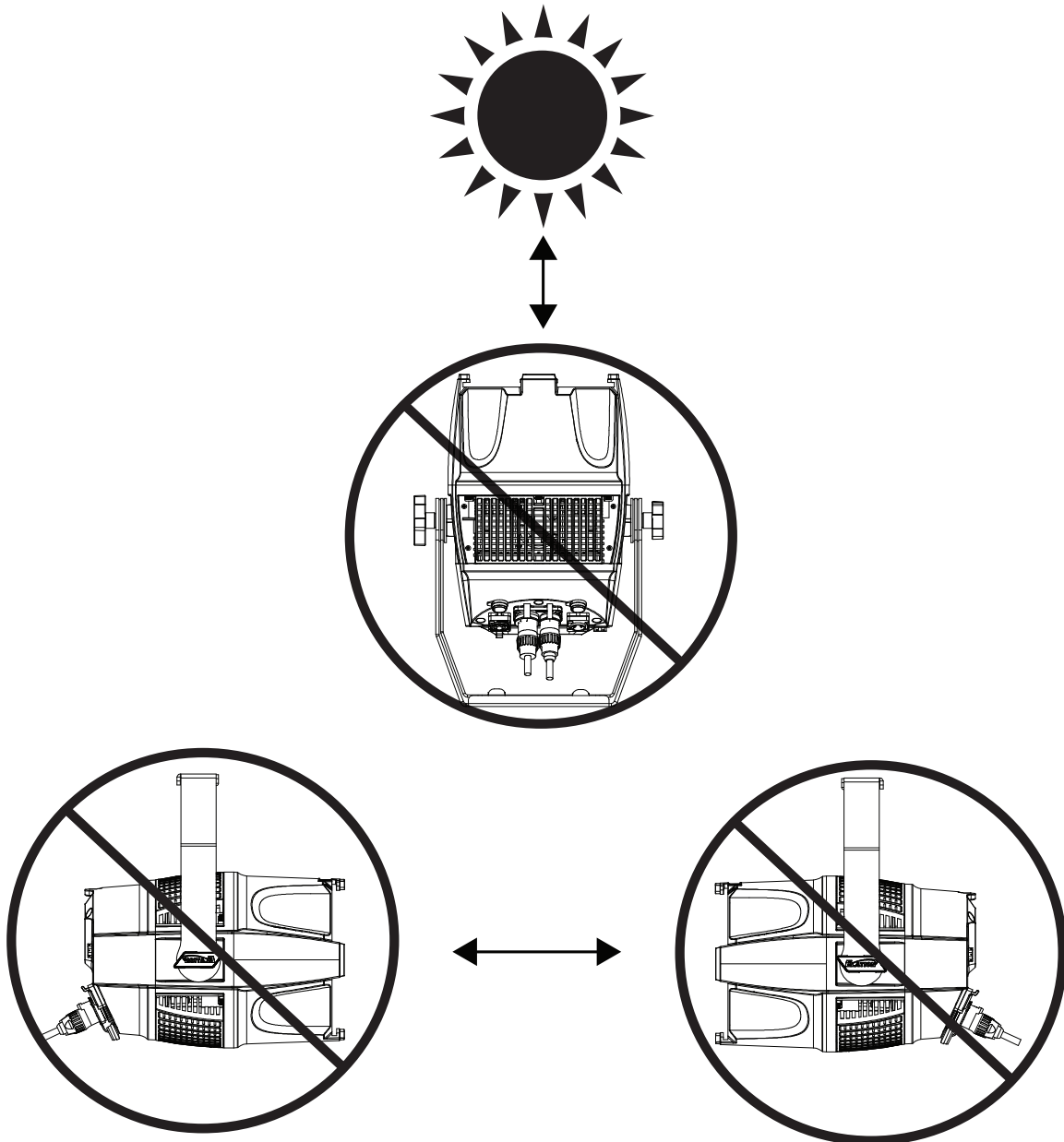
# INSTALLATION GUIDELINES

## POTENTIAL INTERNAL FIXTURE DAMAGE FROM EXTERNAL SOURCES OF LIGHT BEAMS

External sources of light beams from direct sunlight, lighting moving head fixtures, and lasers, which are focused directly towards the exterior housing and/or penetrate the front lens opening of ELATION lighting fixtures, can cause severe internal damage including burning to optics, dichroic color filters, glass and metal gobos, prisms, animation wheels, frost filters, iris, shutters, motors, belts, wiring, discharge lamps, and LEDs.

This issue is not specific only to ELATION lighting fixtures, it is a common issue with lighting fixtures from all manufacturers. Although there is no true way to fully prevent this issue from happening, the guidelines below can prevent any potential damage from occurring if followed. Contact ELATION Service for more details.

**DO NOT EXPOSE THE FIXTURE AND/OR FRONT LENS OPENING TO LIGHT BEAMS FROM DIRECT SUNLIGHT, OTHER LIGHTING MOVING HEAD FIXTURES, AND LASERS WHILE UNPACKING, INSTALLATION, USE, AND EXTENDED IDLE TIMES OUTDOORS. DO NOT FOCUS A LIGHT BEAM FROM ONE LIGHTING FIXTURE DIRECTLY TOWARDS ANOTHER.**

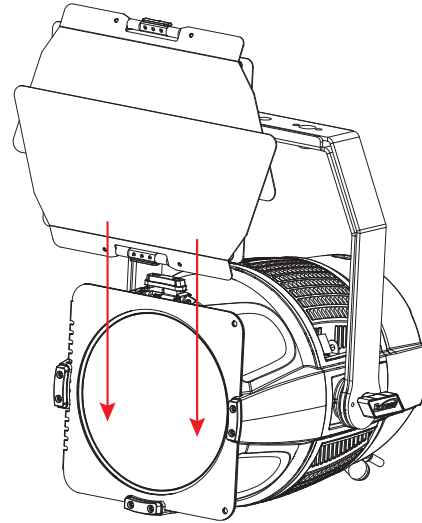
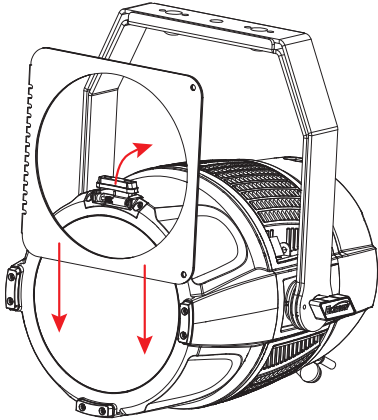


# ACCESSORY INSTALLATION

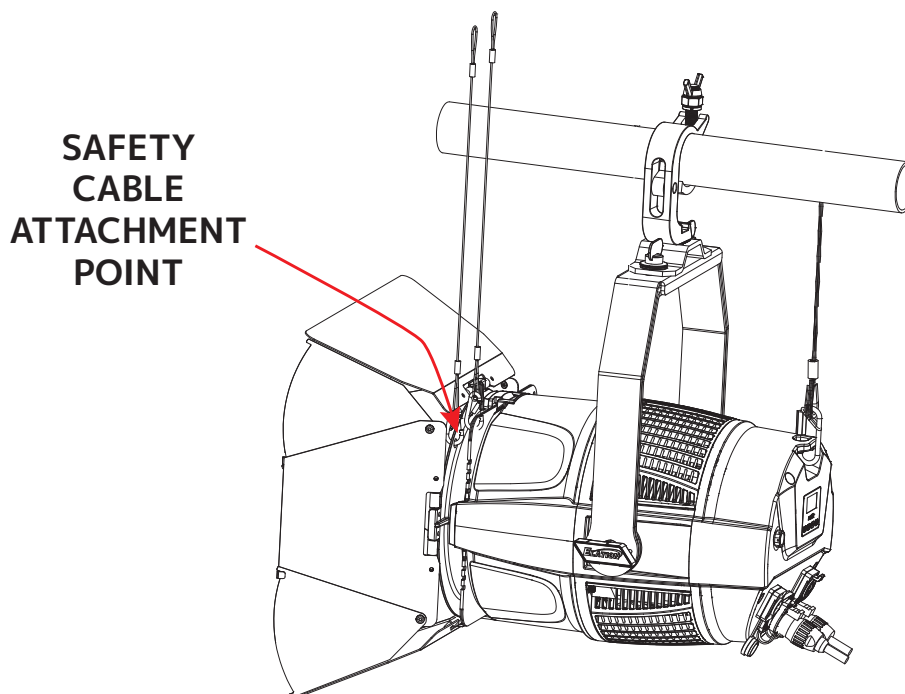
## GEL FRAME AND BARNDOORS

This fixture can be fitted with an optional gel frame and an optional set of barndoors. Follow the instructions below to install these accessories.

1. Open the gel frame latch and slide the gel frame into place in front of the fixture's lens.
2. Slide the barndoors into place in front of the gel frame. Close the gel frame latch to secure the accessories in place.



3. If the fixture is being installed in an overhead location, such as hanging from a truss, the barndoors must be secured with their own independent safety cable. The safety cable attachment points can be found at the base of the barndoor unit near where it comes into contact with the fixture. Additionally, always orient the unit with the gel frame latch facing upwards, so that the accessories will not fall in the event that the latch fails.



# REMOTE DEVICE MANAGEMENT (RDM)

**NOTE: In order for RDM to work properly, RDM enabled equipment must be used throughout the entire system, including DMX data splitters and wireless systems.**

Remote Device Management (RDM) is a protocol that sits on top of the DMX512 data standard for lighting, and allows the DMX systems of the fixtures to be modified and monitored remotely. This protocol is ideal for instances in which a unit is installed in a location that is not easily accessible.

With RDM, the DMX512 system becomes bi-directional, allowing a compatible RDM enabled controller to send out a signal to devices on the wire, as well as allowing the fixture to respond (known as a GET command). The controller can then use its SET command to modify settings that would typically have to be changed or viewed directly via the unit's display screen, including the DMX Address, DMX Channel Mode, and Temperature Sensors.

## FIXTURE RDM INFORMATION:

Device ID	Device Model ID	RDM Code	Personality ID
0x0040 XXXX	0x0040	0x22A6	001: RGB 4Ch 002: CMY 12Ch 003: CMY Extended 15Ch 004: Standard 13Ch 005: Extended 17Ch 006: Standard Zones 17Ch 007: Extended Zones 25Ch

Please be aware that **not all RDM devices support all RDM features**, and therefore it is important to check beforehand to ensure that the equipment that you are considering includes all of the features that you require.

The following parameters are accessible in RDM on this device:

Preset Playback	Device Hours
Default Slot Value	Comms Status
Boot Software Version Label	Status ID Description
Boot Software Version ID	Clear Status ID
Product Detail ID List	Lamp Hours
Status Messages	Lamp Strikes
Proxied Device Count	Lamp State
Sensor Definition	Lamp On Mode
Sensor Value	Device Power Cycles
Device Model Description	Display Invert
Manufacturer Label	Display Level
Device Label	Real Time Clock
DMX Personality	Power State
DMX Personality Description	Queued Message

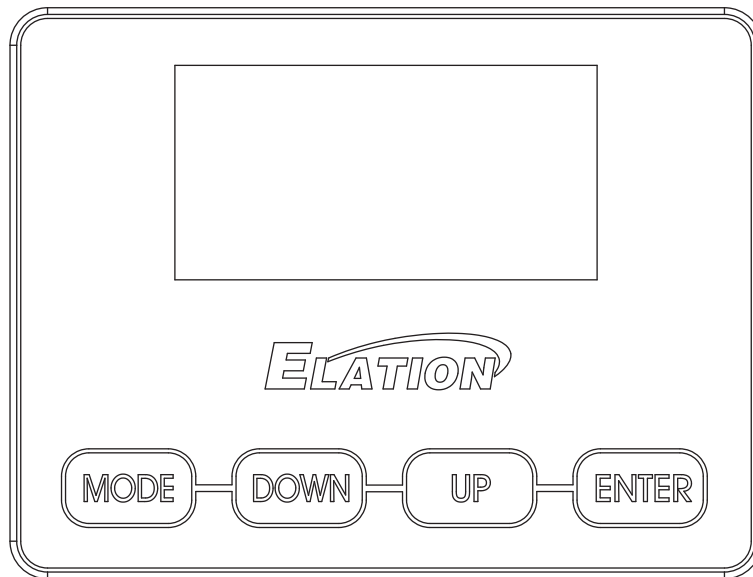


# CONTROL PANEL

The fixture includes an easy to navigate system menu. The control panel display is located on the rear panel of the fixture (see image below) and provides access to the main system menu, where all necessary system adjustments are made to the fixture. During normal operation, you can navigate through the different menu options with the DOWN and UP buttons. To select the option shown on the screen, press the ENTER button, then use the DOWN and UP buttons to adjust the field. Pressing the ENTER button once more will confirm the setting. Exit the main menu at any time without making any adjustments by pressing the MENU button.

The control panel also features a battery charge indicator near the control buttons, as well as a service port for updating the device's software (see the note below).

In default setting, the screen will remain on as long as that device is connected to power. However, it can be configured to lock after a certain period of inactivity by navigating to Settings > Display > Screen Lock in the System Menu. To unlock the device, press and hold the MODE button for 10 seconds.



**PLEASE NOTE:** For units installed in an outdoor setting, the display screen and control panel may interpret a raindrop as a command input and change the fixture's setting (phantom touch) if the display screen is not locked. **The default setting for this unit is to have the display screen unlocked (Settings > Display > Screen Lock > Off).** Therefore, to avoid unintentional command inputs, the Screen Lock setting should be configured so that the screen and control will lock after the selected period of inactivity.

**SOFTWARE UPDATE: AN ELATION C-LOADER II CAN BE USED TO UPDATE THE FIXTURE TO THE LATEST SOFTWARE.** To order this device, please contact Elation Support for further details.

**ELATION SERVICE USA - Monday - Friday 8:00am to 4:30pm PST**  
323-582-3322 | Fax 323-832-9142 | support@elationlighting.com

**ELATION SERVICE EUROPE - Monday - Friday 08:30 to 17:00 CET**  
+31 45 546 85 63 | Fax +31 45 546 85 96 | support@elationlighting.eu

# SYSTEM MENU

ELATION LIMELIGHT PAR S				
DMX	DMX Address	<b>001</b> - 512		Set DMX address
	DMX Mode	4Ch RGB		Select DMX channel mode
		12Ch CMY		
		15Ch CMY Extended		
		<b>13Ch Standard</b>		
		17Ch Extended		
		17Ch Standard Zones		
		25Ch Extended Zones		
	No DMX Status	<b>Hold Last</b>		Fixture holds last settings received if DMX signal is lost or interrupted
		Fade to Black		Fixture takes all channels to 0 if DMX signal is lost or interrupted
Standalone		Fixture defaults to standalone mode if DMX signal is lost or interrupted		
Protocol	Select Signal	<b>DMX</b>	Select signal protocol	
		Aria In - DMX Out		
		DMX In - Aria Out		
Aria	Aria Channel	<b>0</b> - 14	Select Aria channel	
CONTROL	Manual Control	Dimmer	000% - <b>100%</b>	Manually configure each parameter
		Red	0 - <b>255</b>	
		Green	0 - <b>255</b>	
		Blue	0 - <b>255</b>	
		Lime	0 - <b>255</b>	
		CCT	2400K - 8500K Default = <b>6000K</b>	
		Green Shift	-100% ~ +100% Default = <b>0</b>	
		Virtual Color	see <b>Color Macros Table</b> section	
	Zoom	000% - 100% Default = <b>50%</b>		
	Primary	On / <b>Off</b>		Set unit as primary
Secondary	On / <b>Off</b>		Set unit as secondary	
Zoom Speed	<b>Fast</b> / Smooth		Set zoom speed	

# SYSTEM MENU

ELATION LIMELIGHT PAR S				
CONTROL (continued)	Reset Zoom	Yes / <b>No</b>		Reset zoom position
	Self Test	All		Run the selected self test
		Dimmer		
		Color		
Zoom				
SETTINGS	Dim Modes	<b>Standard</b>		Select dim mode
		Stage		
		TV		
		Architectural		
		Theatre		
		Stage 2		
		Dim Speed	0s - 10s Default = <b>0.1s</b>	Set dim speed
	Dim Curves	Linear		Select dim curve
		Square		
		Square Inverse		
		<b>S-Curve</b>		
	LED Refresh Rate	900Hz - 1500Hz, 2500Hz, 4000Hz, 5000Hz, 6000Hz, 10KHz, 15KHz, 20KHz, 25KHz Default = <b>1200Hz</b>		Set LED refresh rate
	LED Power Limit	50%		Set LED power output limitation
		60%		
		70%		
80%				
90%				
<b>100%</b>				
Fan Mode	<b>Auto</b>		Set fan mode	
	High			
	Silent			
Display	Screen Delay	10s - 5min Default = <b>1min</b>	Screen goes into standby mode after selected period of inactivity	
	Screen Lock	<b>Off</b> , 10s - 5min	Screen and controls lock after selected period of inactivity	
	Rotate Display	Yes		Select display orientation
		<b>No</b>		
Auto				
Reset Defaults	Yes / <b>No</b>		Return unit to factory default settings	

# SYSTEM MENU

ELATION LIMELIGHT PAR S				
<b>INFORMATION</b>	Time	Current Run Time		Display current fixture run time
		Total Run Time		Display total lifetime fixture run time
		Last Run Time		Display fixture run times since last reset
	Temperature	Current		Current fixture temperature
		Max Resettable		Max recorded fixture temperature since last reset
	DMX Values	Red		Display current DMX value of selected parameter
		Green		
		...		
	Product IDs	RDM UID		Display RDM UID
	Error Logs	Fixture Errors		Display recorded fixture errors one by one
Software Version	Vx.x		Display current software version	
<b>SERVICE Passcode = 050</b>	Aria Activation	<b>On / Off</b>		Activate or deactivate Aria
	Calibration	Red	000 - 255	Calibrate each parameter
		Green	000 - 255	
		Blue	000 - 255	
		Lime	000 - 255	
		Zoom	000 - 255	
	Reset Last Run	Yes / No		Reset Last Run Time and Max Resettable Temperature
Reset Error Logs	Yes / No		Clear Error Logs	

## FAN MODES

The Limelight Par S is a high-performance fixture suited for multiple applications. For noise critical environments such as Theater, Opera, or Orchestral Halls, it offers various fan operation modes which remove unwanted noise distractions for the audience and performers. Fan Modes can be changed remotely via the DMX control channel, allowing the fixture to offer high output or whisper-silent operation at a moment's notice. All Fan Modes smoothly transition over a brief time, preventing unwanted attraction to the fixture.

**Auto (Default)** – Fans only run at the speeds needed to keep the LED engine within a safe temperature range, and ensures optimal performance of the fixture. They will turn off if possible; for example, when the fixture is dimmed to a low intensity. Fans sense the ambient and fixture temperature and will, at all times, try to keep noise levels at a minimum. The fixture output will only be reduced when the LED engine cannot be cooled to its safe operating range due to a high ambient temperature.

**NOTE: This mode is recommended for daily operation.**

**Silent** – Fan speeds are reduced throughout the fixture for a lower noise profile. The fixture output is also reduced to approximately 80%. This mode should be sufficient for most uses where lower noise is required.

**High** – Fan speeds are increased throughout the fixture for the most efficient cooling. This mode will increase wear on the fans and should only be utilized in exceptional circumstances. Fans will always run, even if the fixture is dimmed. Fixture output is kept at 100% unless the LED engine temperature reaches an unsafe temperature, at which point the fixture will reduce power carefully to ensure continued safe operation. This mode is only required in very high ambient temperatures when automatic fan speed adjustments are not desired.

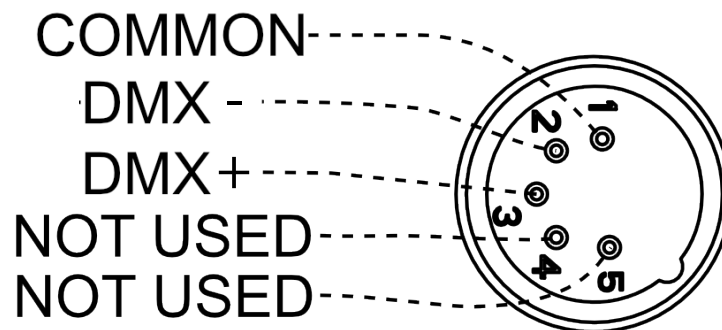
# DMX SET UP

**DMX-512:** DMX is short for Digital Multiplex. This is a universal protocol used as a form of communication between intelligent fixtures and controllers. A DMX controller sends DMX data instructions from the controller to the fixture. DMX data is sent as serial data that travels from fixture to fixture via the DATA "IN" and DATA "OUT" XLR terminals located on all DMX fixtures (most controllers only have a DATA "OUT" terminal).

**DMX Linking:** DMX is a language allowing all makes and models of different manufacturers to be linked together and operate from a single controller, as long as all fixtures and the controller are DMX compliant. To ensure proper DMX data transmission, try to use the shortest cable path possible when linking several DMX fixtures. The order in which fixtures are connected in a DMX line does not influence the DMX addressing. For example, a fixture assigned a DMX address of 1 may be placed anywhere in a DMX line: at the beginning, at the end, or anywhere in the middle. When a fixture is assigned a DMX address of 1, the DMX controller knows to send DATA assigned to address 1 to that unit, no matter where it is located in the DMX chain.

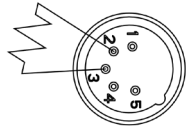
**Data Cable (DMX Cable) Requirements (For DMX Operation):** This unit can be controlled via DMX-512 protocol. The DMX address is set on the rear panel of the unit. Your unit and your DMX controller require a standard 5-pin XLR connector for data input and data output. We recommend Accu-Cable DMX cables. If you are making your own cables, be sure to use standard 110-120 Ohm shielded cable (This cable may be purchased at almost all pro lighting stores). Your cables should be made with a male XLR connector at one end and a female XLR connector at the other. Also remember that DMX cable must be daisy chained and cannot be split.

**Notice:** Be sure to follow the illustration below when making your own cables. Do not use the ground lug on the XLR connector. Do not connect the cable's shield conductor to the ground lug or allow the shield conductor to come in contact with the XLR's outer casing. Grounding the shield could cause a short circuit and erratic behavior.



# DMX SET UP

**Special Note: Line Termination.** When longer runs of cable are used, you may need to use a terminator on the last unit to avoid erratic behavior. A terminator is a 110-120 ohm 1/4 watt resistor which is connected between pins 2 and 3 of a male XLR connector (DATA + and DATA -). This unit is inserted in the female XLR connector of the last unit in your daisy chain to terminate the line. Using a cable terminator (ADJ part number Z-DMX/T) will reduce the risk of erratic behavior.



A DMX512 terminator reduces signal errors, avoiding most signal reflection interference. Connect PIN 2 (DMX-) and PIN 3 (DMX+) of the last fixture in series with a 120 Ohm, 1/4 W Resistor to terminate the DMX512.

## DMX ADDRESSING.

All fixtures should be given a DMX starting address when using a DMX controller, so the correct fixture responds to the correct control signal. This digital starting address is the channel number from which the fixture starts to “listen” to the digital control signal sent out from the DMX controller. The assignment of this starting DMX address is achieved by setting the correct DMX address on the digital control display on the fixture.

You can set the same starting address for all fixtures or a group of fixtures, or set different addresses for each individual fixture. Setting all fixtures to the same DMX address will cause all fixtures to react in the same way. In other words, changing the settings of one channel will affect all the fixtures simultaneously.

If you set each fixture to a different DMX address, each unit will start to “listen” to the channel number you have set, based on the quantity of DMX channels of each fixture. That means changing the settings of one channel will only affect the selected fixture.

For example, when this unit is operating in 4 channel mode, you should set the starting DMX address of the first unit to 1, the second unit to 5 (1 + 4), the third unit to 9 (1 + 4 + 4), and so on. See the chart below for more details.

CHANNEL MODE	UNIT 1 ADDRESS	UNIT 2 ADDRESS	UNIT 3 ADDRESS	UNIT 4 ADDRESS
4Ch	1	5	9	13
12Ch	1	13	25	37
15Ch	1	16	31	46
13Ch	1	14	27	40
17Ch (Extended & Standard Zones)	1	18	35	52
25Ch	1	26	51	76

# DMX TRAITS

RGB 4Ch	CMY 12Ch	CMY Ext 15Ch	Std 13Ch	Ext 17Ch	Std Zones 17Ch	Ext Zones 25Ch	DMX Values	Function	Snap	Def Value
	1	1	1	1	1	1	0 - 255	<b>Dimmer</b> Intensity 0 → 100%		0
	2	2	2	2	2	2	0 - 255	<b>Dimmer Fine</b> Fine Adjustment		0
	3	3	3	3	3	3	0 - 31	<b>Shutter / Strobe</b> Shutter closed		50
							32 - 63	No function (shutter open)		
							64 - 95	Strobe effect, slow to fast		
							96 - 127	No function (shutter open)		
							128 - 159	Pulse effect in sequences		
							160 - 191	No function (shutter open)		
							192 - 223	Random strobe effect, slow to fast		
							224 - 255	No function (shutter open)		
1			4	4	4	4	0 - 255	<b>Red</b> 0 → 100%		0
				5		5	0 - 255	<b>Red Fine</b> Fine Adjustment		0
2			5	6	5	6	0 - 255	<b>Green</b> 0 → 100%		0
				7		7	0 - 255	<b>Green Fine</b> Fine Adjustment		0
3			6	8	6	8	0 - 255	<b>Blue</b> 0 → 100%		0
				9		9	0 - 255	<b>Blue Fine</b> Fine Adjustment		0
			7	10	7	10	0 - 255	<b>Lime</b> 0 → 100%		0
				11		11	0 - 255	<b>Lime Fine</b> Fine Adjustment		0
					8	12	0 - 255	<b>Red 2</b> 0 → 100%		0
						13	0 - 255	<b>Red Fine 2</b> Fine Adjustment		0
					9	14	0 - 255	<b>Green 2</b> 0 → 100%		0
						15	0 - 255	<b>Green Fine 2</b> Fine Adjustment		0
					10	16	0 - 255	<b>Blue 2</b> 0 → 100%		0
						17	0 - 255	<b>Blue Fine 2</b> Fine Adjustment		0



# DMX TRAITS

RGB 4Ch	CMY 12Ch	CMY Ext 15Ch	Std 13Ch	Ext 17Ch	Std Zones 17Ch	Ext Zones 25Ch	DMX Values	Function	Snap	Def Value
					11	18		<b>Lime 2</b>		0
							0 - 255	0 → 100%		
						19		<b>Lime Fine 2</b>		0
							0 - 255	Fine Adjustment		
	4	4						<b>Cyan</b>		0
							0 - 255	0 → 100%		
		5						<b>Cyan Fine</b>		0
							0 - 255	Fine Adjustment		
	5	6						<b>Magenta</b>		0
							0 - 255	0 → 100%		
		7						<b>Magenta Fine</b>		0
							0 - 255	Fine Adjustment		
	6	8						<b>Yellow</b>		0
							0 - 255	0 → 100%		
		9						<b>Yellow Fine</b>		0
							0 - 255	Fine Adjustment		
4	7	10	8	12	12	20		<b>Zoom</b>		0
							0 - 255	Narrow → Wide		
	8	11	9	13	13	21		<b>Zoom Fine</b>		0
							0 - 255	Fine Adjustment		
	9	12	10	14	14	22		<b>Variable CCT</b>		0
							0 - 23	Open		
							24 - 85	2400K → 8500K, see <b>Color Temperature Table</b> section		
							86 - 255	8500K		
	10	13	11	15	15	23		<b>Color</b>		0
							0	Open		
							1 - 179	Virtual Swatch Book, see <b>Virtual Colors Table</b> section		
								<b>Color Scroll</b>		
							180 - 201	Clockwise, fast → slow		
							202 - 207	Stop		
							208 - 229	Counter-clockwise, slow → fast		
							230 - 234	Open		
								<b>Random Slots</b>		
							235 - 239	Fast		
							240 - 244	Medium		
							245 - 249	Slow		
							250 - 255	Open		

# DMX TRAITS

RGB 4Ch	CMY 12Ch	CMY Ext 15Ch	Std 13Ch	Ext 17Ch	Std Zones 17Ch	Ext Zones 25Ch	DMX Values	Function	Snap	Def Value
								<b>Dim Modes</b>		
							0 - 20	Standard		
							21 - 40	Stage		
							41 - 60	TV		
							61 - 80	Architectural		
							81 - 100	Theatre		
							101 - 120	Stage 2		
								<b>Dimmer Delay Time</b>		
							121	0s		
							122	0.1s		
							123	0.2s		
							124	0.3s		
							125	0.4s		
							126	0.5s		
	11	14	12	16	16	24	127	0.6s	X	0
							128	0.7s		
							129	0.8s		
							130	0.9s		
							131	1.0s		
							132	1.5s		
							133	2.0s		
							134	3.0s		
							135	4.0s		
							136	5.0s		
							137	6.0s		
							138	7.0s		
							139	8.0s		
							140	9.0s		
							141	10s		
							142 - 255	Idle		
								<b>Control</b>		
							0 - 19	Idle		
							20 - 29	Fan Mode: Auto (Default)		
							30 - 39	Fan Mode: Silent		
	12	15	13	17	17	25	40 - 49	Fan Mode: High	X	0
							50 - 59	Reset Zoom		
							60 - 69	Zoom Speed: Fast (Default)		
							70 - 79	Zoom Speed: Smooth		
							80 - 99	Idle		

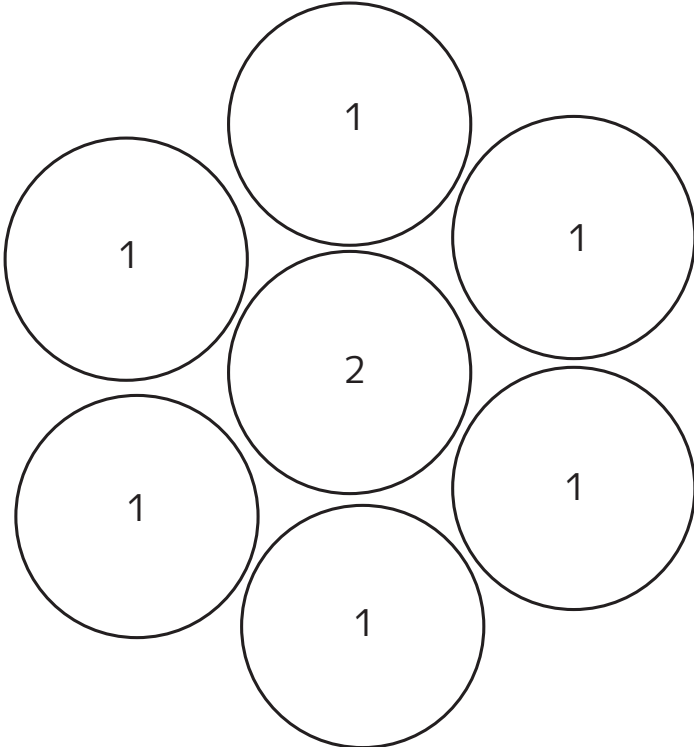
# DMX TRAITS

RGB 4Ch	CMY 12Ch	CMY Ext 15Ch	Std 13Ch	Ext 17Ch	Std Zones 17Ch	Ext Zones 25Ch	DMX Values	Function	Snap	Def Value
								<b>Refresh Rate (Hz)</b>		
							100	900		
							101	910		
							102	920		
							103	930		
							104	940		
							105	950		
							106	960		
							107	970		
							108	980		
							109	990		
							110	1000		
							111	1010		
							112	1020		
							113	1030		
							114	1040		
							115	1050		
							116	1060		
							117	1070		
							118	1080		
							119	1090		
	12	15	13	17	17	25	120	1100	X	0
							121	1110		
							122	1120		
							123	1130		
							124	1140		
							125	1150		
							126	1160		
							127	1170		
							128	1180		
							129	1190		
							130	1200		
							131	1210		
							132	1220		
							133	1230		
							134	1240		
							135	1250		
							136	1260		
							137	1270		
							138	1280		
							139	1290		
							140	1300		
							141	1310		

# DMX TRAITS

RGB 4Ch	CMY 12Ch	CMY Ext 15Ch	Std 13Ch	Ext 17Ch	Std Zones 17Ch	Ext Zones 25Ch	DMX Values	Function	Snap	Def Value
								<b>Refresh Rate (Hz) (contin- ued)</b>		
							142	1320		
							143	1330		
							144	1340		
							145	1350		
							146	1360		
							147	1370		
							148	1380		
							149	1390		
							150	1400		
							151	1410		
							152	1420		
							153	1430		
							154	1440		
							155	1450		
							156	1460		
							157	1470		
	12	15	13	17	17	25	158	1480	X	0
							159	1490		
							160	1500		
							161	2500		
							162	4000		
							163	5000		
							164	6000		
							165	10000		
							166	15000		
							167	20000		
							168	25000		
							169 - 200	No function		
								<b>Dimmer Curves</b>		
							201 - 210	Linear (Default)		
							211 - 220	Square		
							221 - 230	Inverse Square		
							231 - 240	S-Curve		
							241 - 255	Idle		

# PIXEL GROUPING



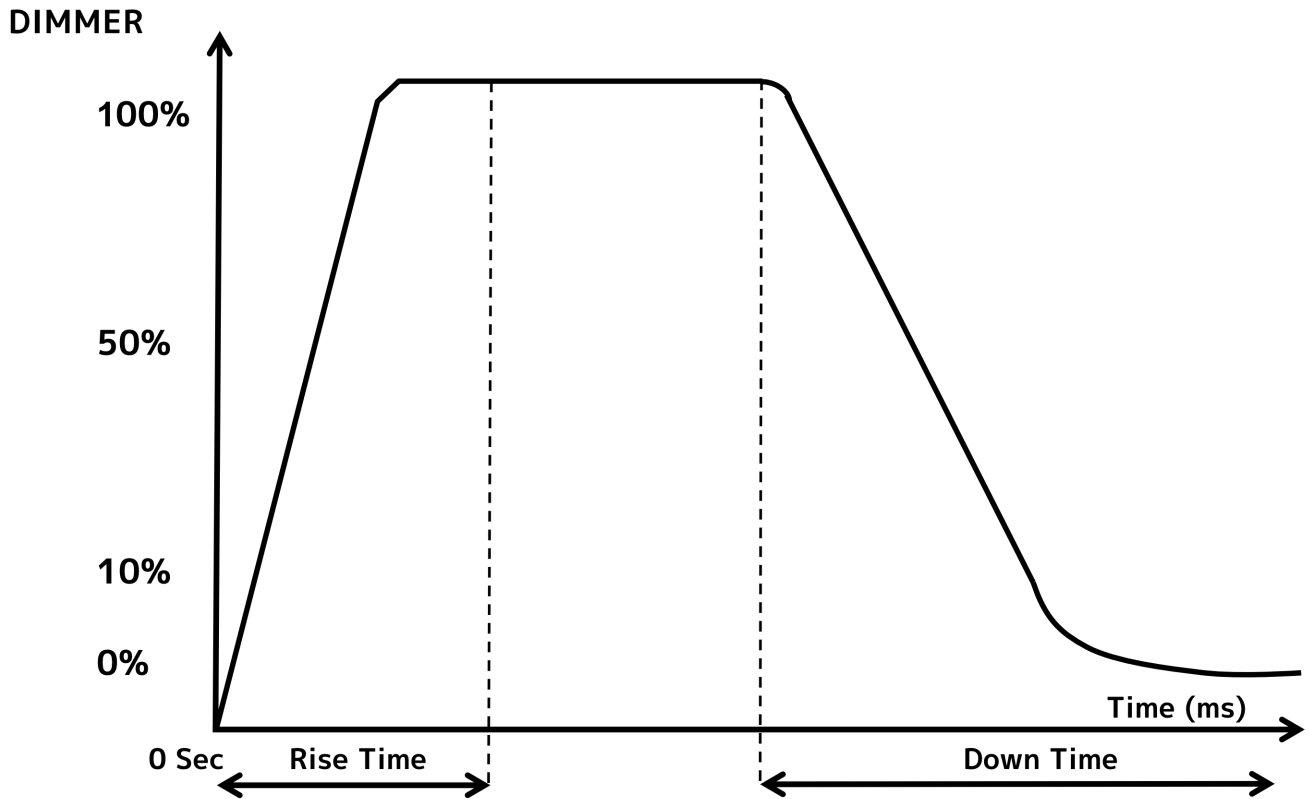
# VIRTUAL COLOR TABLE

Value	Filter Number	Name	Value	Filter Number	Name
1	7	Pale Yellow	32	49	Medium Purple
2	103	Straw	33	58	Lavender
3	151	Gold Tint	34	199	Palace Blue
4	100	Spring Yellow	35	119	Dark Blue
5	10	Medium Yellow	36	132	Medium Blue
6	101	Yellow	37	120	Deep Blue
7	104	Deep Amber	38	165	Daylight Blue
8	15	Deep Straw	39	161	Slate Blue
9	179	Loving Amber	40	118	Light Blue
10	21	Gold Amber	41	68	Sky Blue
11	105	Orange	42	143	Pale Navy Blue
12	158	Deep Orange	43	131	Marine Blue
13	22	Dark Amber	44	115	Peacock Blue
14	778	Millenium Gold	45	172	Lagoon Blue
15	135	Deep Golden Amber	46	116	Medium Blue Green
16	24	Scarlet	47	90	Dark Yellow Green
17	106	Primary Red	48	139	Primary Green
18	26	Bright Red	49	122	Fern Green
19	27	Medium Red	50	89	Moss Green
20	19	Fire	51	124	Dark Green
21	157	Pink	52	88	Lime Green
22	36	Medium Pink	53	138	Pale Green
23	111	Dark Pink	54	203	Quarter CT Blue
24	128	Bright Pink	55	202	Half CT Blue
25	148	Bright Rose	56	201	FULL CT Blue
26	332	Special Rose Pink	57	200	Double CT Blue
27	793	Vanity Fair	58	206	Quarter CT Orange
28	113	Magenta	59	205	Half CT Orange
29	46	Dark Magenta	60	204	FULL CT Orange
30	48	Rose Purple	61-179		No function
31	126	Mauve			

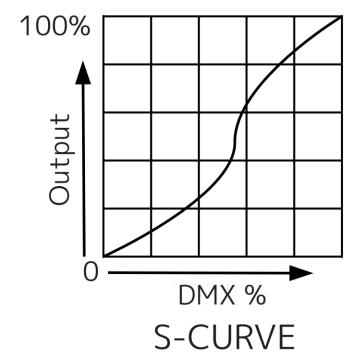
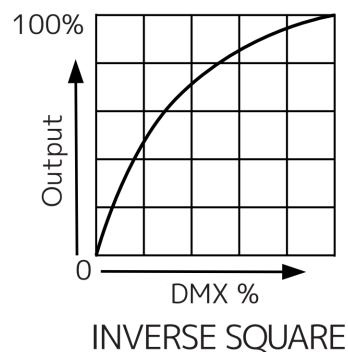
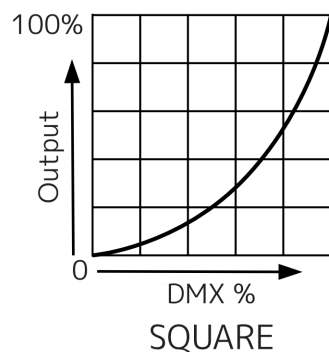
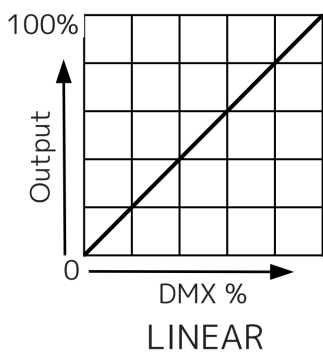
# COLOR TEMPERATURE TABLE

DMX VALUE	COLOR TEMPERATURE (K)	DMX VALUE	COLOR TEMPERATURE (K)
24	2400	63	6300
25	2500	64	6400
26	2600	65	6500
27	2700	66	6600
28	2800	67	6700
29	2900	68	6800
30	3000	69	6900
31	3100	70	7000
32	3200	71	7100
33	3300	72	7200
34	3400	73	7300
35	3500	74	7400
36	3600	75	7500
37	3700	76	7600
38	3800	77	7700
39	3900	78	7800
40	4000	79	7900
41	4100	80	8000
42	4200	81	8100
43	4300	82	8200
44	4400	83	8300
45	4500	84	8400
46	4600	85	8500
47	4700		
48	4800		
49	4900		
50	5000		
51	5100		
52	5200		
53	5300		
54	5400		
55	5500		
56	5600		
57	5700		
58	5800		
59	5900		
60	6000		
61	6100		

# DIMMER MODES & CURVES



Dimming Curve Ramp Effect	0 sec Fade Time		1 sec Fade Time	
	Rise Time (ms)	Down Time (ms)	Rise Time (ms)	Down Time (ms)
Standard (default)	0	0	0	0
Stage	780	1100	1540	1660
TV	1180	1520	1860	1940
Architectural	1380	1730	2040	2120
Theatre	1580	1940	2230	2280
Stage 2	0	1100	0	1660





# PRIMARY-SECONDARY SET UP

This function allows you to link units together to run in a Primary-Secondary set-up, in which one unit will act as the controlling unit and the others will react to the controlling unit's built-in programs. Any unit can be configured to act as a Primary or as a Secondary, but only one unit in a given system can be programmed to act as the Primary.

## Primary-Secondary Connections and Settings:

1. Daisy chain your units via the XLR connectors on the bottom of each unit. Use standard XLR data cables to link your units together. Remember that the male XLR connector is the input and the female XLR connector is the output. The first unit in the chain (primary) will use the female XLR connector only. The last unit in the chain will use the male XLR connector only.
2. On the unit that you want to designate as the primary, use the display screen and control panel to navigate to **Control > Primary**, then press the ENTER button to confirm. Configure the operation of the device as desired.
3. On the units that you want to designate as secondaries, use the display screen and control panel to navigate to **Control > Secondary**, then press the ENTER button to confirm. The secondary units will now follow the operation of the primary unit.

## NOTES:

- Only one unit should be configured as the primary, while all the other units should be configured as secondaries.
- All units should be set to the same DMX channel mode.
- If fixtures fail to sync, verify that all settings mentioned above are the same, then power all devices off, then switch them on again to re-establish the link.

## MULTI UNIT POWER LINKING

This feature allows you to connect the fixtures to one another using the power cable input and output sockets.

**The maximum number of units that can be linked in this manner is as follows:**

- 5 units when running on 120V power.
- 10 units when running on 230V power.

**DO NOT EXCEED THIS MAXIMUM NUMBER WHEN POWER LINKING UNITS!**

All linked units must be of the same make and model type. Do not mix and match units!

## MAINTENANCE GUIDELINES



**DISCONNECT POWER BEFORE PERFORMING ANY MAINTENANCE!**

### CLEANING

Frequent cleaning is recommended to ensure proper function, optimized light output, and an extended life. The frequency of cleaning depends on the environment in which the fixture operates: damp, smoky, or particularly dirty environments can cause greater accumulation of dirt on the fixture's optics. Clean the external lens surface regularly with a soft cloth to avoid dirt/debris accumulation.

**NEVER use alcohol, solvents, or ammonia-based cleaners.**

### MAINTENANCE

Regular inspections are recommended to ensure proper function and extended life. There are no user serviceable parts inside this fixture. Please refer all other service issues to an authorized Elation service technician. Should you need any spare parts, please order genuine parts from your local Elation dealer.

Please refer to the following points during routine inspections:

- A. A detailed electrical check by an approved electrical engineer every three months, to make sure the circuit contacts are in good condition and prevent overheating.
- B. Be sure all screws and fasteners are securely tightened at all times. Loose screws may fall out during normal operation, resulting in damage or injury as larger parts could fall.
- C. Check for any deformations on the housing, color lenses, rigging hardware, and rigging points (ceiling, suspension, trussing). Deformations in the housing could allow for dust to enter into the fixture. Damaged rigging points or unsecured rigging could cause the fixture to fall and seriously injure a person(s).
- D. Electric power supply cables must not show any damage, material fatigue, or sediments.

**NEVER remove the ground prong from the power cable.**

# TORQUE SETTINGS FOR SCREWS

IN ORDER TO MAINTAIN THE IP65 RATING ON THE LIGHTING FIXTURES, ALL SCREWS MUST BE TIGHTENED TO THE FOLLOWING TORQUE SPECIFICATION USING A TORQUE DRIVER.

Refer to the table and diagram below for torque specifications.

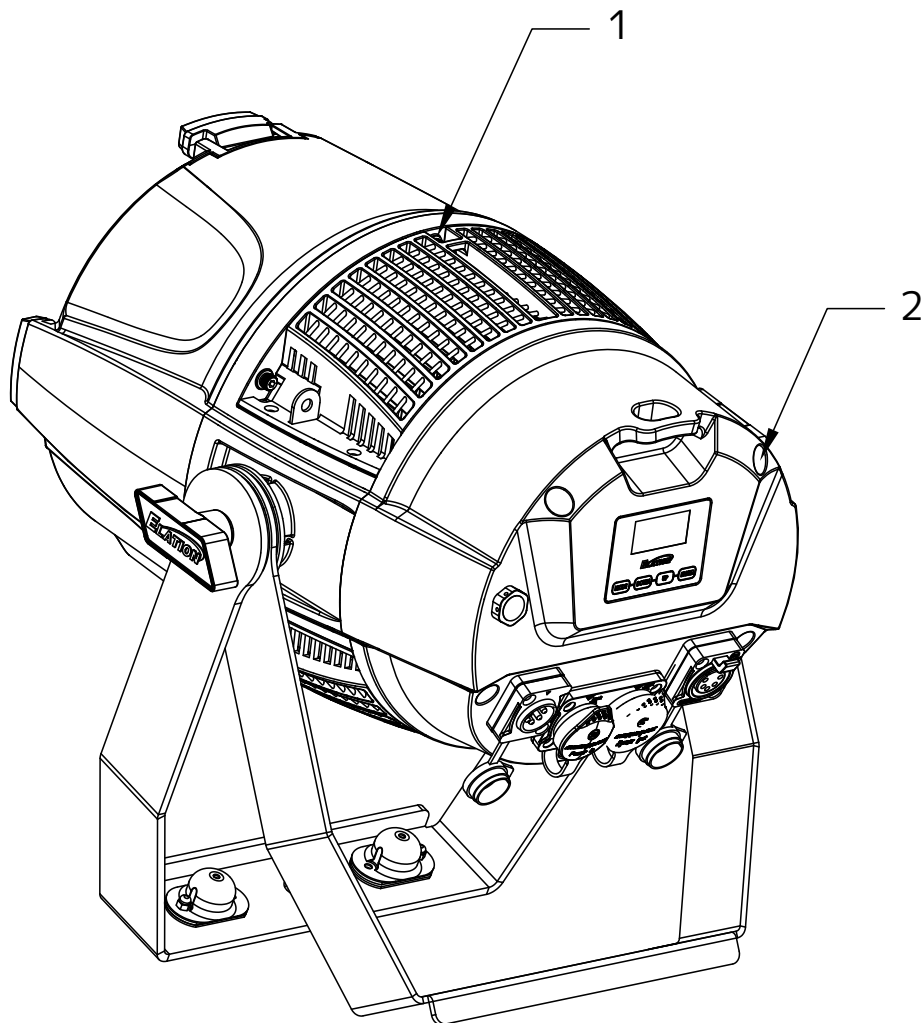
TORQUE DRIVERS (Recommended): UTICA TS-30 (shown)

ALTERNATE DRIVERS:

- Proto J6107A
- Wiha 28887



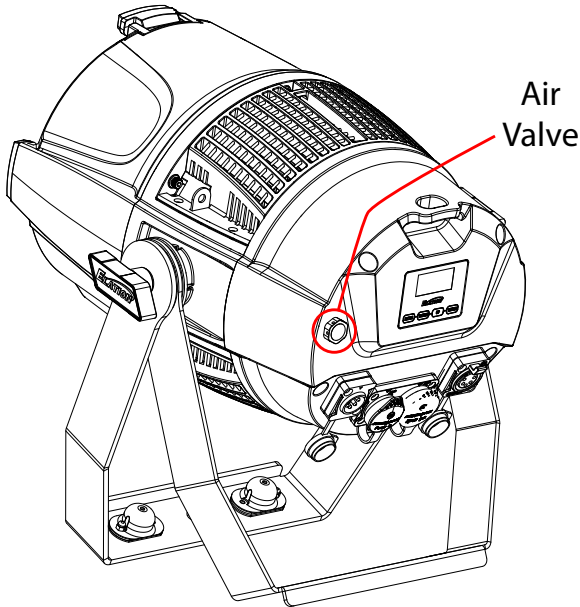
**CAUTION! DO NOT OVER TORQUE SCREWS, AS THIS CAN CAUSE LEAKAGE ISSUES!**



NO.	LOCATION	QUANTITY	TORQUE
1	Fixed Front Cover	6	11.3 ± 0.4 lb-in (13.0 ± 0.5 kg-cm)
2	Fixed Rear Cover	5	11.3 ± 0.4 lb-in (13.0 ± 0.5 kg-cm)

# IP TEST PARAMETERS

Following any repair or maintenance procedure that requires disassembly of the fixture, use Elation's IP Tester to confirm the IP integrity of the fixture. The air valve is located on the back panel next to the display screen, as shown in the diagram below. Please contact Elation Service for information regarding the Elation IP Tester, or visit the product information page online at: <https://www.elationlighting.com/ip-tester>



**CAUTION! THE USE OF PROTECTIVE GLOVES AND SAFETY GOGGLES IS STRONGLY RECOMMENDED WHILE PERFORMING THE IP PRESSURE TEST! AVOID PLACING YOUR FACE, EYES, HANDS, ETC IN CLOSE PROXIMITY TO THE FIXTURE'S LENS WHILE PERFORMING THE TEST!**

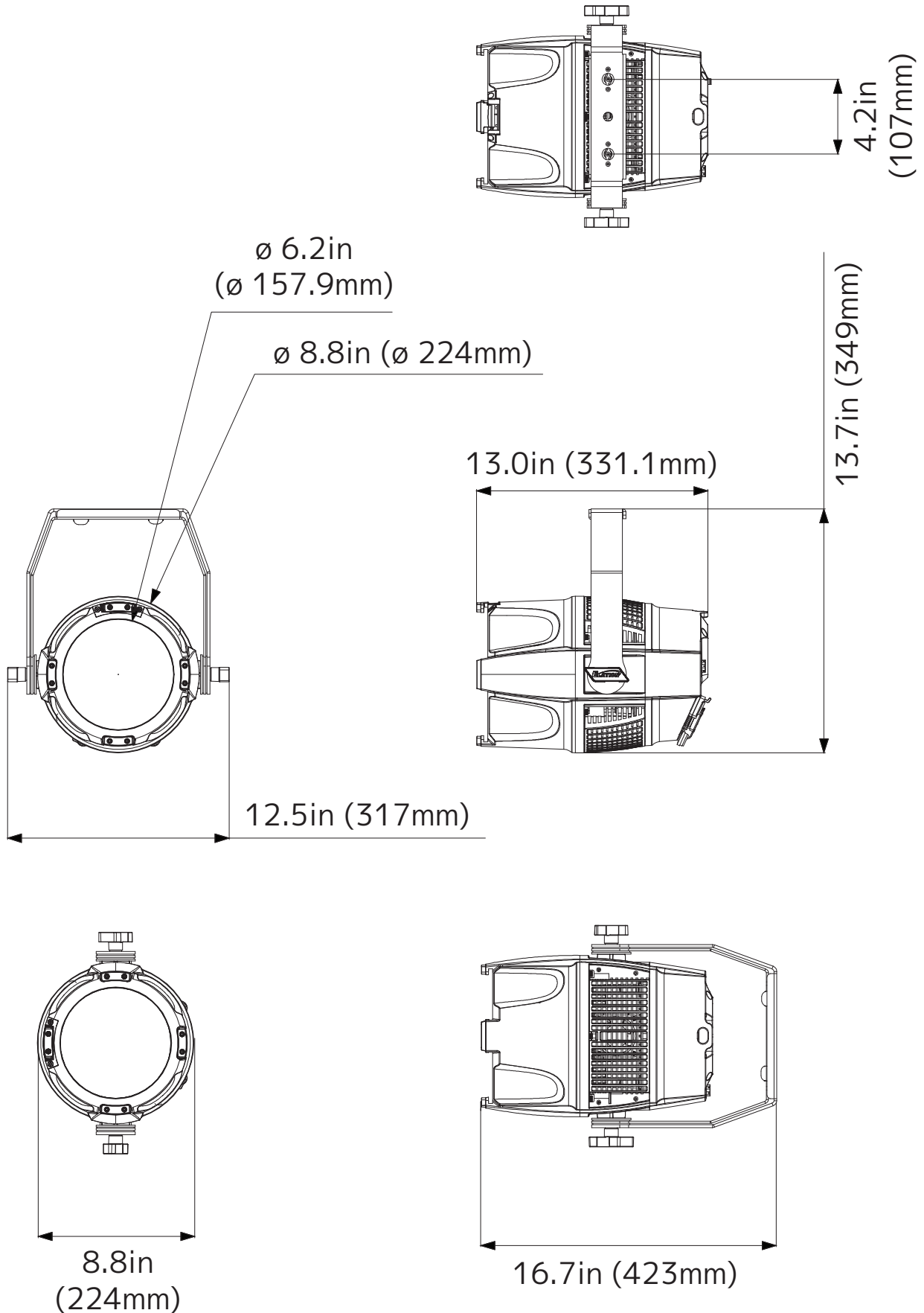
**DE-HUMIDIFICATION:** IP65 fixtures operating in high-humidity environments may experience residual fogging or condensation. Such fogging will not damage the fixture, and can be removed using the following procedure: position the unit with the air valve pointing upwards, then open the air valve and run the unit for 1-2 hours after reaching operating temperature. Then, while the fixture is still hot, re-install the air valve and allow the unit to cool down. Please note that this procedure should be performed in a dry, air-conditioned environment. Avoid additional fogging by drying the fixture completely before placing into a road case.



IP PRESSURE TESTING PARAMETERS					
Low Pressure Limit	High Pressure Limit	Inflation Time	Equilibrium Time	Detection Time	Max Leakage
2.901 psi (20.0 KPa)	3.336 psi (23 KPa)	30 sec	15 sec	15 sec	0.014 psi (100 Pa)

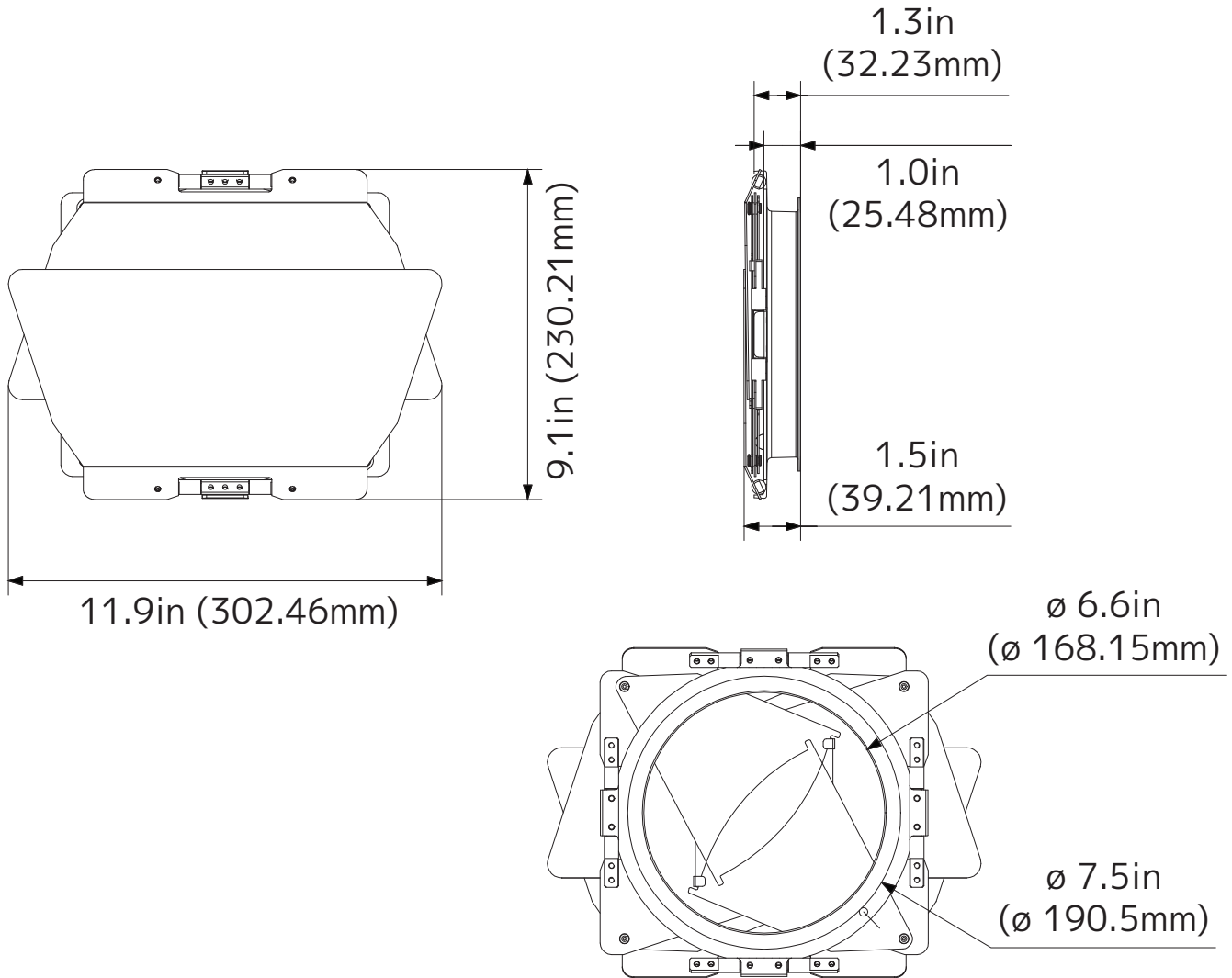
# DIMENSIONAL DRAWINGS

## FIXTURE

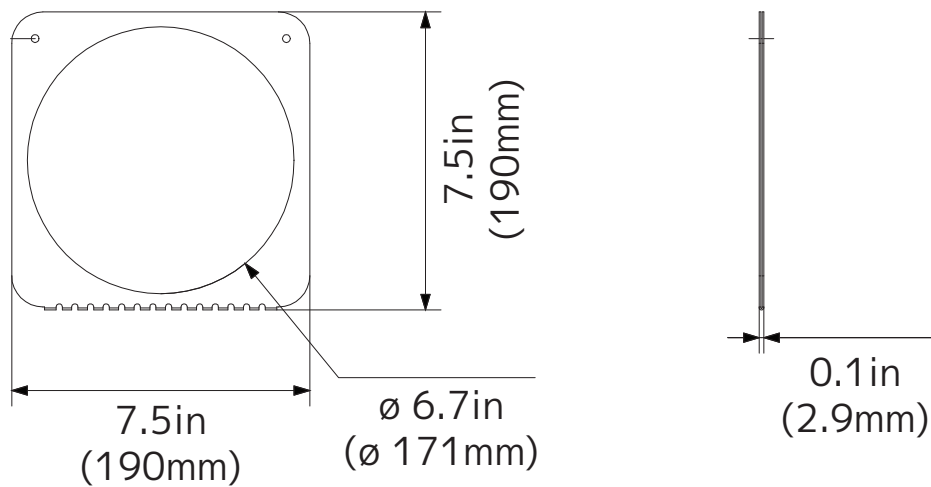


# DIMENSIONAL DRAWINGS

## BARNDOOR



## GEL FRAME



# SPECIFICATIONS

## SOURCE

(7) 60W RGBL LEDs

30,000 Hour Average LED Life\*

\*May vary depending on several factors including but not limited to: Environmental Conditions, Power/Voltage, Usage Patterns (On-Off Cycling), Control and Dimming.

## PHOTOMETRIC DATA

Total Lumen Output

- 5,345 (Integrating Sphere)
- 4,844 (Goniometer)
- CRI 82.8
- TLCI 74

Zoom Range 5° - 42°

Beam Angle: 5° - 42°

Field Angle: 8° - 60°

## EFFECTS

Dual Zone LED Control

Electronic Dimmer and Strobe

Variable 16-bit Dimming Modes and Curves

## COLOR

RGBL Color Array

CMY Emulation

Variable CCT 2400K - 8500K

Virtual Gel Swatch Book

## CONTROL / CONNECTIONS

7 DMX Channel Modes (4ch/12ch/15ch/13ch /17ch/17ch/25ch)

Manual and DMX Controlled Dimmer and Color

4 Button Control Panel, LED Display

Aria x2 Wireless Device Management

RDM (Remote Device Management)

5pin DMX and IP65 Locking Power Cable In/Out

## SIZE / WEIGHT

Length: 12.5" (317mm)

Width: 8.8" (224mm)

Vertical Height: 16.7" (423mm)

Weight: 20.1lbs. (9.1kg)

## ELECTRICAL / THERMAL

AC 100-240V - 50/60Hz

332W Max Power Consumption

Power Thru Capacity: @110V: 5 Units;

@240V: 10 Units

5°F to 113°F (-15°C to 45°C)

1132.8 BTU/hr (+/- 10%)

## INCLUDED ITEMS

IP65 Locking Power Cable

Safety Cable

## OPTIONAL ITEMS

7.5" Gel Frame

7.5" Black Barndoor

# 8050000053 - Omega Bracket

## APPROVALS / RATINGS

CE | cETLus(pend) | UL | IP65c | FCC | UKCA



# ORDERING INFORMATION

SKU (US)	SKU (EU)	ITEM DESCRIPTION
LLP301	1237000277	Elation Limelight Par S
KLP959	1236100143	KL Par 7.5" Barndoor
PENDING	PENDING	7.5" Gel Frame
8050000053	PENDING	Omega Bracket

# ERROR CODES

Error Codes subject to change without notice	
ERROR CODES	DESCRIPTION
FAN	Cooling Fan Error
TEMP	Temperature Error
ZOOM	Zoom Motor Error

## FCC STATEMENT

This device complies with Part 15 of the FCC Rules. Operation is subject to the following two conditions: (1) this device may not cause harmful interference, and (2) this device must accept any interference received, including interference that may cause undesired operation.

### FCC RADIO FREQUENCY INTERFERENCE WARNINGS & INSTRUCTIONS

This product has been tested and found to comply with the limits as per Part 15 of the FCC Rules. These limits are designed to provide reasonable protection against harmful interference in a residential installation. This device uses and can radiate radio frequency energy and, if not installed and used in accordance with the included instructions, may cause harmful interference to radio communications. However, there is no guarantee that interference will not occur in a particular installation. If this device does cause harmful interference to radio or television reception, which can be determined by turning the device off and on, the user is encouraged to try to correct the interference by one or more of the following methods:

- Reorient or relocate the device.
- Increase the separation between the device and the receiver.
- Connect the device to an electrical outlet on a circuit different from which the radio receiver is connected.
- Consult the dealer or an experienced radio/TV technician for help.

Europe Energy Saving Notice

Energy Saving Matters (EuP 2009/125/EC)

Saving electric energy is a key to help protecting the environment. Please turn off all electrical products when they are not in use. To avoid power consumption in idle mode, disconnect all electrical equipment from power when not in use. Thank you





This page intentionally left blank.

