

KL FRESNEL 6 PO



KL Fresnel 6 PO™ is a 150W 3,000K >95CRI Warm White LED fresnel, producing over 6,500 total lumen output, on par with compatible tungsten halogen models. Features include manual and DMX control, 15° to 38° wide manual zoom, manual and DMX controlled dimmer and shutter. Also, dimmer rotary dial, smooth 16-bit selectable dimming modes and curves, LED refresh rate frequency adjustment for flicker free operation for TV and FILM, removable barn doors (included), RDM (remote device management) protocol support, 3/5pin DMX and IP65 Locking Power Cable in/out connections, 4 button control panel, LCD menu display, multiple unit power linking, a universal auto switching power supply (100-240v), gel frame, rotating barndoors and 28mm Junior Pin / Spigot (included).

FEATURES

- 3,000K Warm White LED Fresnel Luminaire
- 150W Single Source LED
- Pole Operation for Pan and Tilt plus Zoom
- Manual and DMX Controlled Dimming
- Quick Single Press Light Output for Focusing
- 15° - 38° Wide Manual Zoom
- Including 8-Leaf Barn Doors and Gel Frame Holder
- Adjustable Refresh Frequency
- Silent Operation
- Variable Dimming Curves, Dim Modes and Dimming Delays
- Flicker Free Operation for Broadcast TV and Film

The PO Series are pole operable units for broadcast studio and theater applications. Pole operation allows for easy pan, tilt and zoom maneuverability while avoiding having to access the fixture by climbing on a ladder.



Specifications subject to change without notice ©Elation Professional 07/16/21

Elation Professional USA | 6122 S. Eastern Ave. | Los Angeles, CA. 90040
323-582-3322 | 323-832-9142 fax | www.elationlighting.com | info@elationlighting.com

Elation Professional B.V. | Junostraat 2 | 6468 EW Kerkrade, The Netherlands
+31 45 546 85 66 | +31 45 546 85 96 fax | www.elationlighting.eu | info@elationlighting.eu

PRODUCT SPECIFICATIONS

FEATURES

3,000K Warm White LED Fresnel Luminaire
 150W Single Source LED
 Pole Operation for Pan and Tilt plus Zoom
 Manual and DMX Controlled Dimming
 Quick Single Press Light Output for Focusing
 15° - 38° Wide Manual Zoom
 Including 8-Leaf Barn Doors and Gel Frame Holder
 Adjustable Refresh Frequency
 Silent Operation
 Variable Dimming Curves, Dim Modes and Dimming Delays
 Flicker Free Operation for Broadcast TV and Film

SOURCE

150W Warm White LED Engine
 6,500 Total Output Lumens, 3,000K, 95CRI
 50,000 Hour Average LED Life*
 *May vary depending on several factors including but not limited to: Environmental Conditions, Power/Voltage, Usage Patterns (On-Off Cycling), Control, and Dimming.

PHOTOMETRIC DATA

7,924 LUX 736 FC @ 9.8' (3m) (Min. Zoom)
 1,961 LUX 182 FC @ 9.8' (3m) (Max. Zoom)
 Zoom Range 15° - 38°
 Beam Angle 15.5° - 38°
 Field Angle 23.4° - 51.8°

EFFECTS

High Speed Electronic Shutter and Strobe
 Variable Dimming Curves, Dim Modes and Dimming Delays

COLOR

3,000K Warm White LED

CONTROL / CONNECTIONS

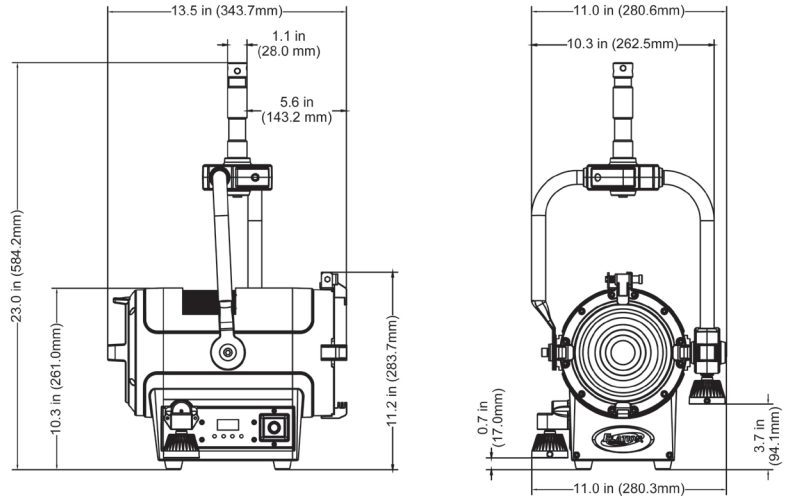
5 DMX Channels Modes (1 / 2 / 3 / 4 / 5)
 DMX Support
 RDM (Remote Device Management)
 Adjustable Refresh Frequency (900 - 25,000Hz)
 8 / 16 Bit Dimming Control
 4 Button and 1 Dial Control Panel
 Manual and DMX Controlled Dimming
 180° Reversible LCD Menu Display
 USB Firmware Service Port
 Locking 3/5pin XLR In/Out and Power In/Out

SIZE / WEIGHT

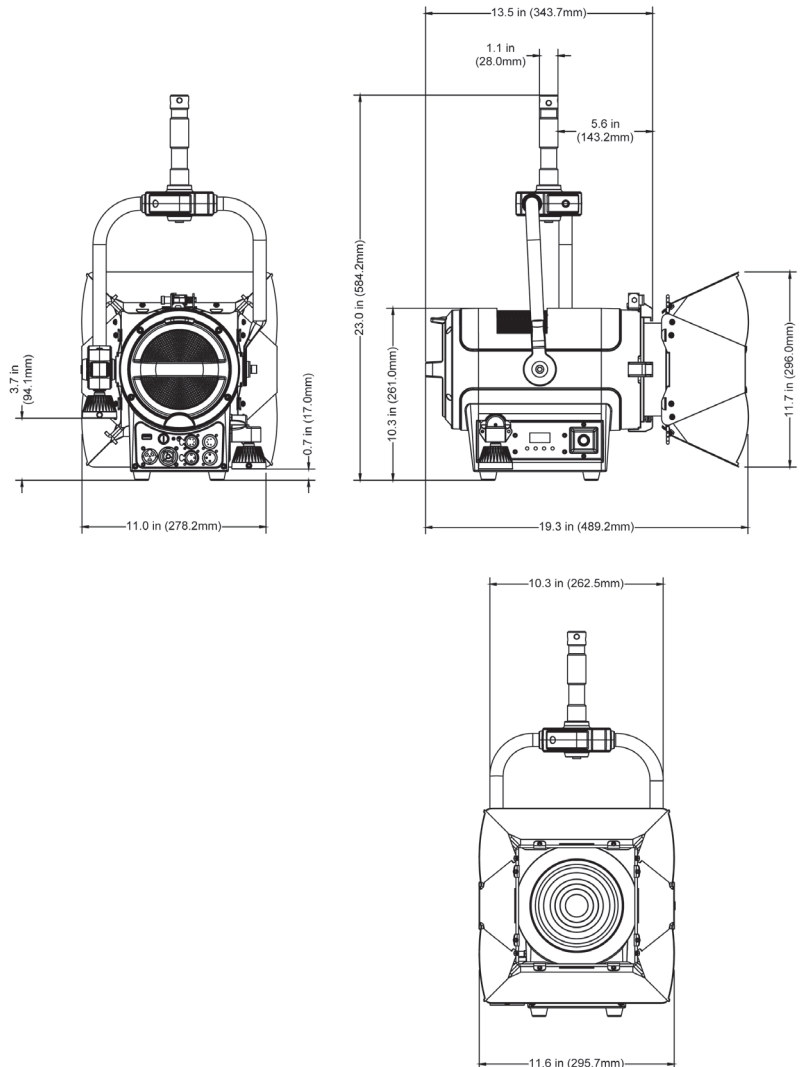
Length: 13.5" (344mm)
 Width: 10.8" (273mm)
 Vertical Height: 15.5" (393mm)
 Weight: 18.5 lbs. (8.4 kg)
ELECTRICAL / THERMAL
 AC 100-240V - 50/60Hz
 180W Max Power Consumption
 14°F to 113°F (-10°C to 45°C)
 Power Linking: 6Pcs @ 110V / 14Pcs @ 240V

DIMENSIONAL DRAWINGS

Without Barndoor



With Barndoor



Dimensions not drawn to scale.

ORDERING INFORMATION

1236100173

KL Fresnel 6 PO



Specifications subject to change without notice ©Elation Professional 07/16/21

Elation Professional USA | 6122 S. Eastern Ave. | Los Angeles, CA, 90040
 323-582-3322 | 323-832-9142 fax | www.elationlighting.com | info@elationlighting.com

Elation Professional B.V. | Junostraat 2 | 6468 EW Kerkrade, The Netherlands
 +31 45 546 85 66 | +31 45 546 85 96 fax | www.elationlighting.eu | info@elationlighting.eu